

# ↗ DOMETIC

# REFRIGERATION

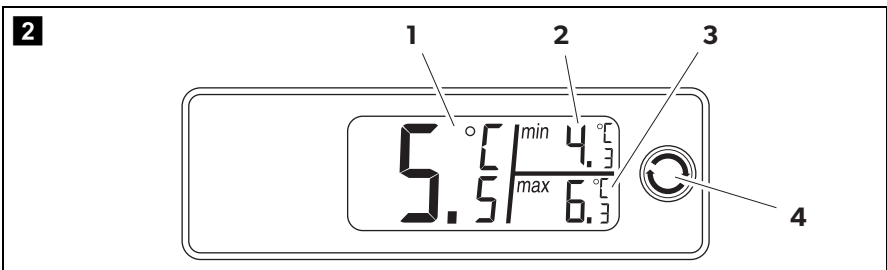
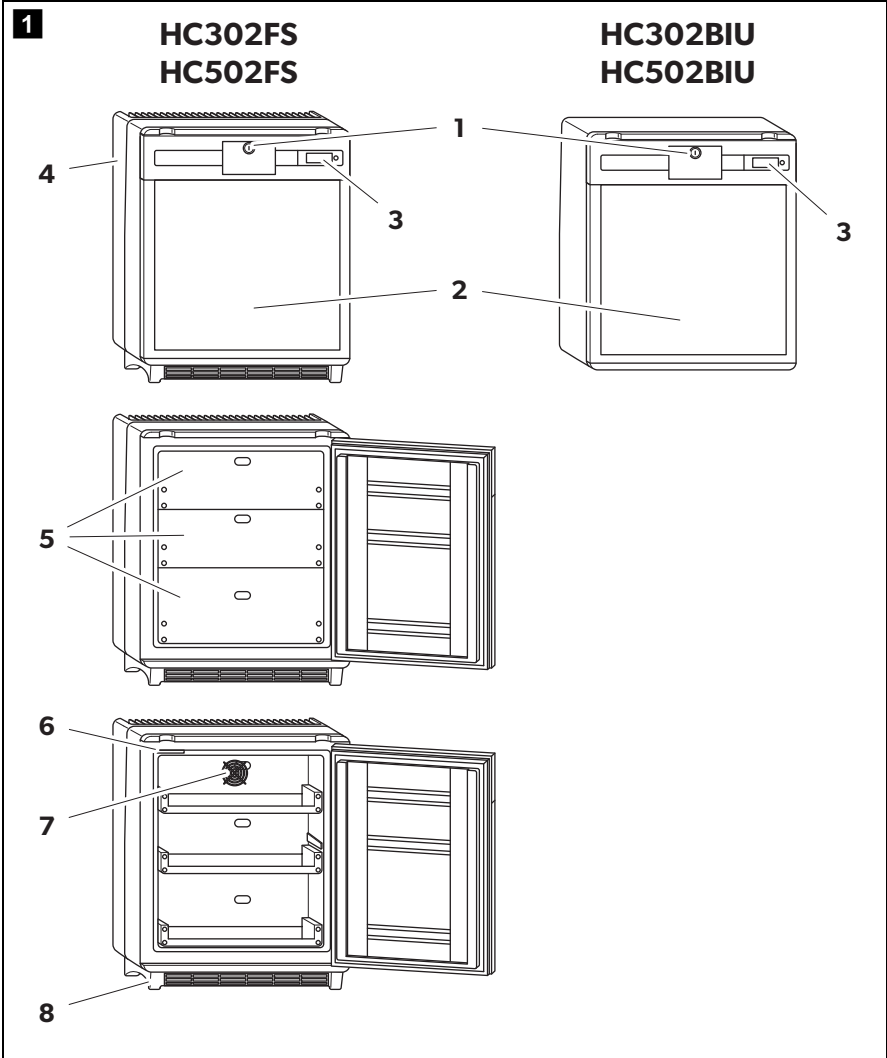
# SILENCIO HC

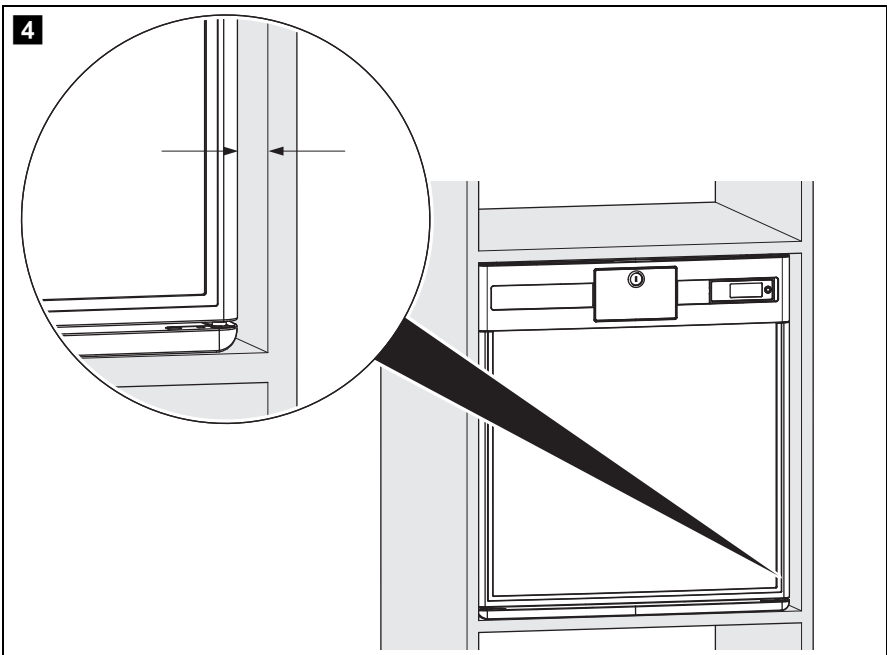
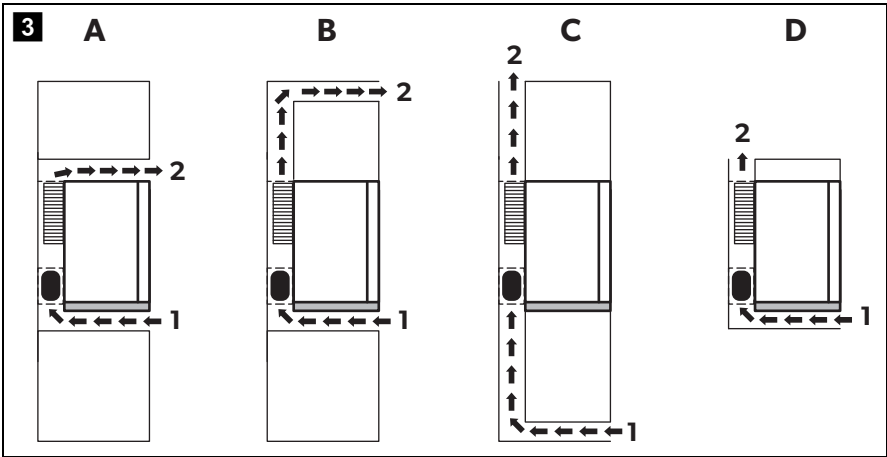


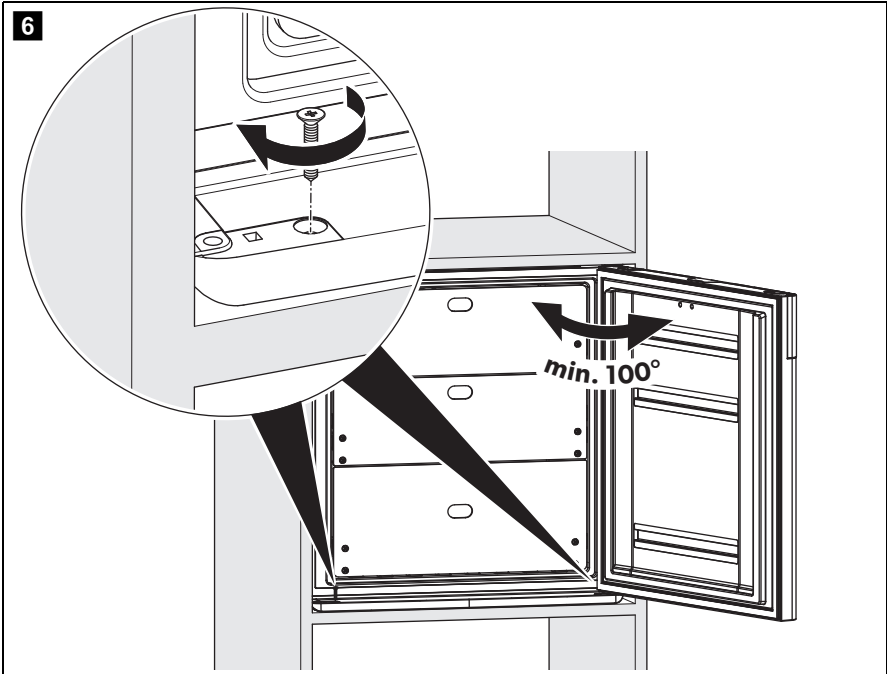
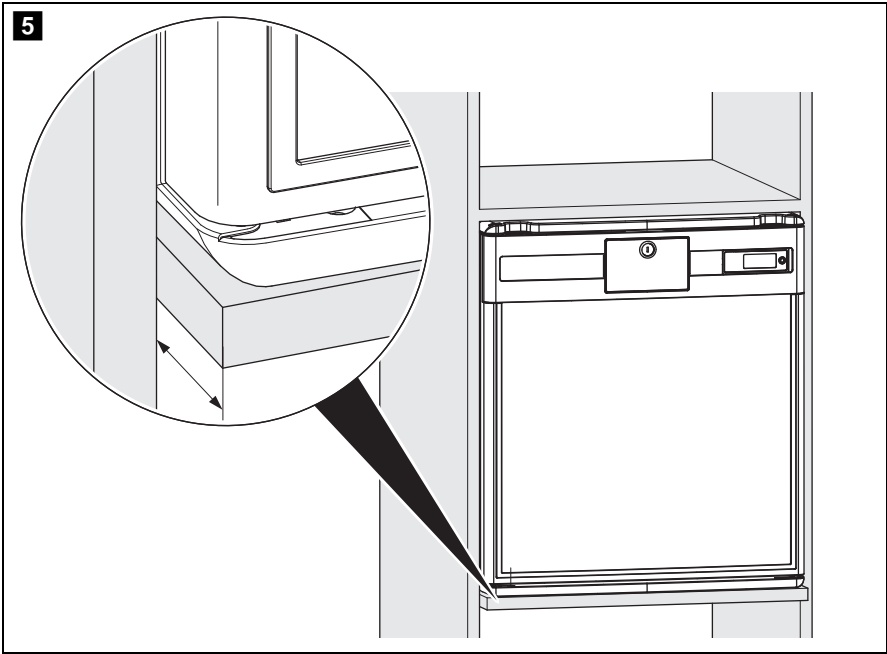
HC302, HC502

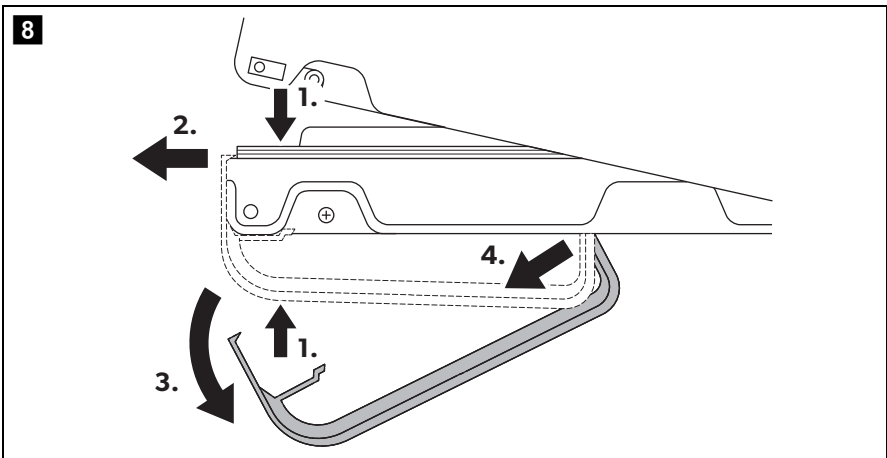
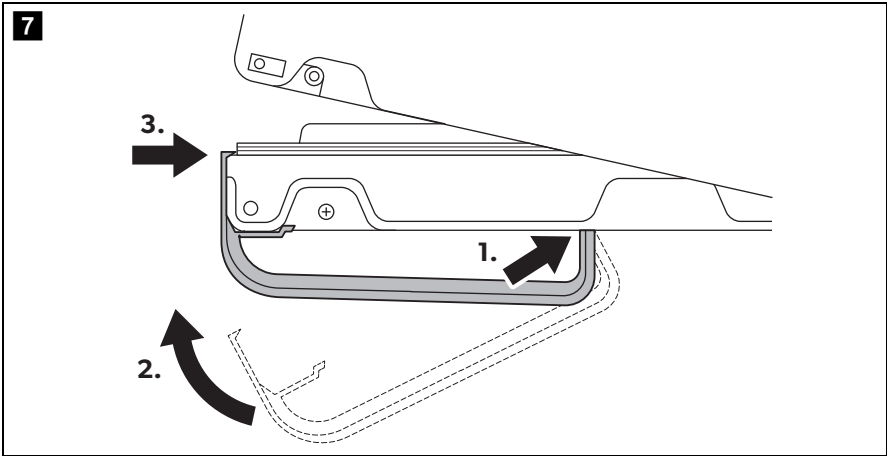
<b>EN</b>	<b>Medication refrigerator</b> Installation and Operating Manual . . . . .	9
<b>DE</b>	<b>Medikamentenkühlschrank</b> Montage- und Bedienungsanleitung . . . . .	23
<b>FR</b>	<b>Réfrigérateur pour médicaments</b> Instructions de montage et de service . . . . .	38
<b>NL</b>	<b>Medicamentenkoelkast</b> Montagehandleiding en gebruiksaanwijzing . . . . .	53

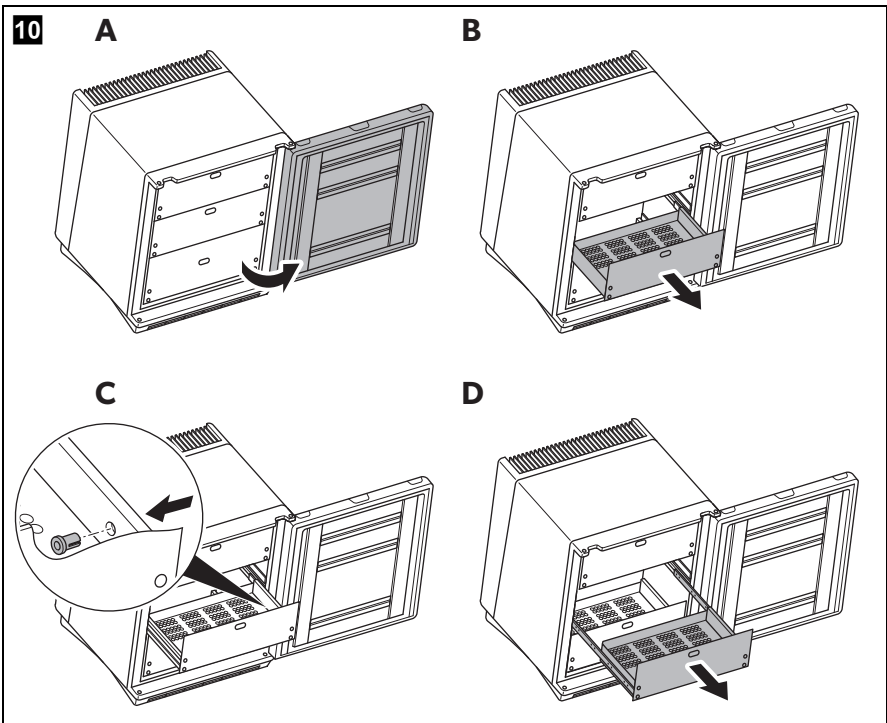
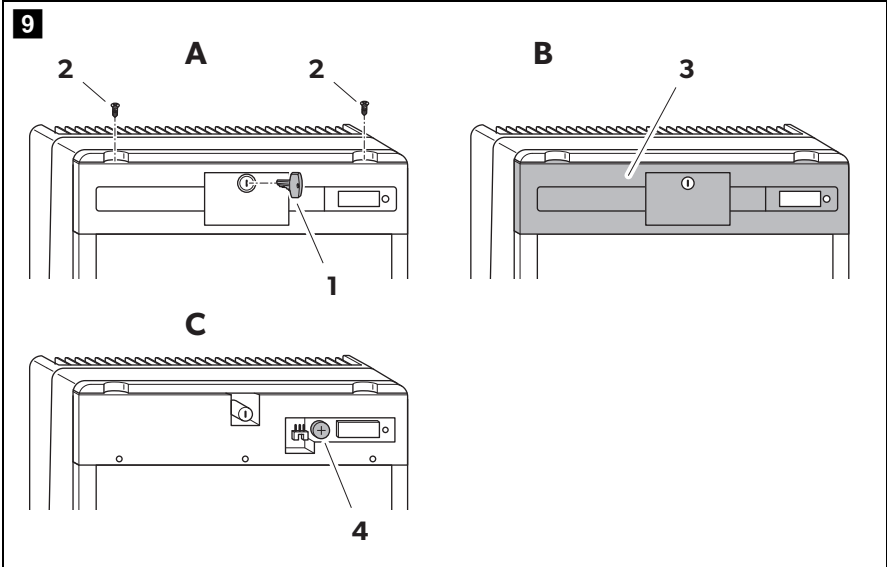
© 2021 Dometic Group. The visual appearance of the contents of this manual is protected by copyright and design law. The underlying technical design and the products contained herein may be protected by design, patent or be patent pending. The trademarks mentioned in this manual belong to Dometic Sweden AB. All rights are reserved.

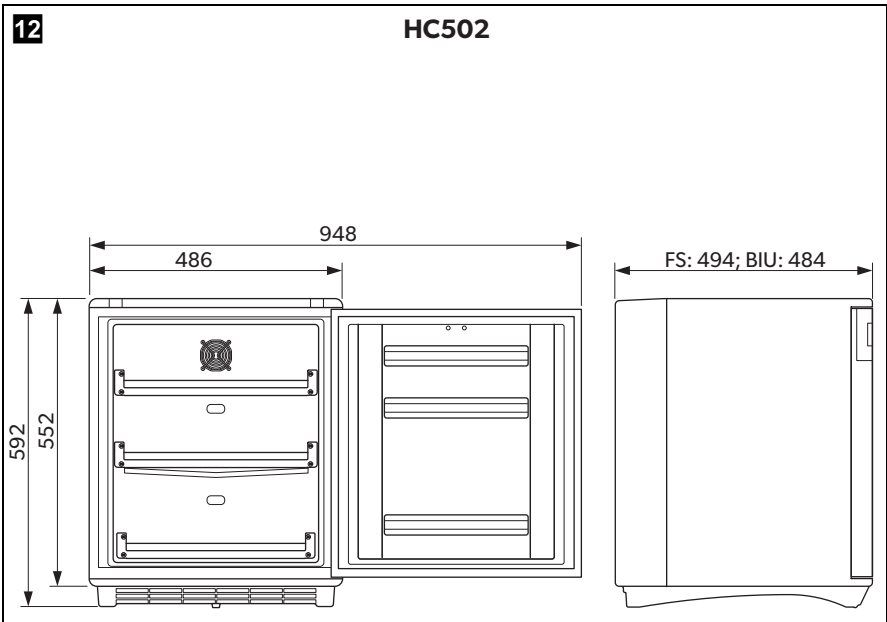
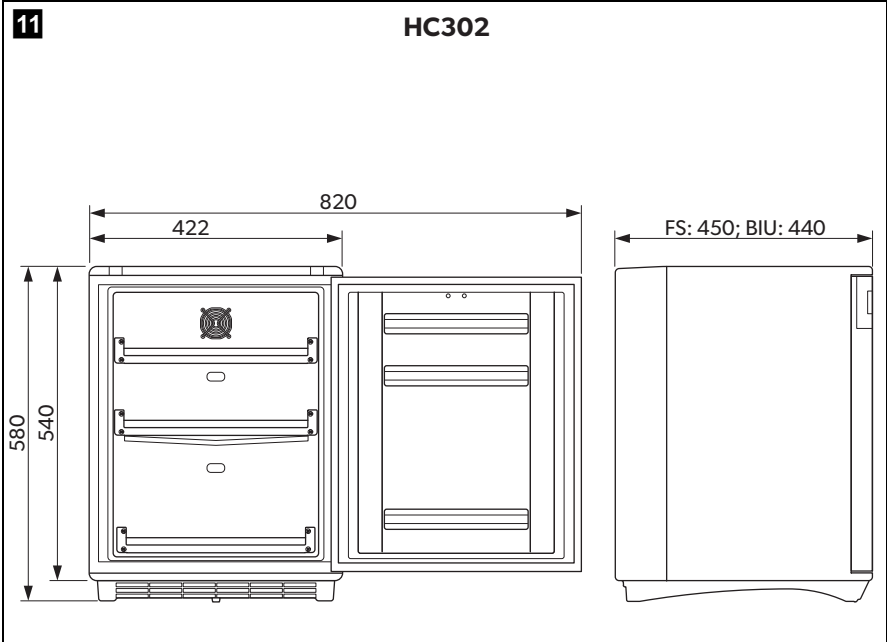














Please read these instructions carefully and follow all instructions, guidelines, and warnings included in this product manual in order to ensure that you install, use, and maintain the product properly at all times. These instructions **MUST** stay with this product.

By using the product, you hereby confirm that you have read all instructions, guidelines, and warnings carefully and that you understand and agree to abide by the terms and conditions as set forth herein. You agree to use this product only for the intended purpose and application and in accordance with the instructions, guidelines, and warnings as set forth in this product manual as well as in accordance with all applicable laws and regulations. A failure to read and follow the instructions and warnings set forth herein may result in an injury to yourself and others, damage to your product or damage to other property in the vicinity. This product manual, including the instructions, guidelines, and warnings, and related documentation, may be subject to changes and updates. For up-to-date product information, please visit [dometic.com](http://dometic.com).

## Table of contents

1	Explanation of symbols . . . . .	9
2	Safety instructions . . . . .	10
3	Scope of delivery . . . . .	12
4	Intended use . . . . .	12
5	Technical description . . . . .	13
6	Installing and connecting the refrigerator . . . . .	14
7	Operation . . . . .	16
8	Cleaning and maintenance . . . . .	19
9	Troubleshooting . . . . .	20
10	Warranty . . . . .	21
11	Disposal . . . . .	21
12	Technical data . . . . .	22

## 1 Explanation of symbols



**DANGER!**

**Safety instruction:** Indicates a hazardous situation that, if not avoided, will result in death or serious injury.



**WARNING!**

**Safety instruction:** Indicates a hazardous situation that, if not avoided, could result in death or serious injury.



**CAUTION!**

**Safety instruction:** Indicates a hazardous situation that, if not avoided, could result in minor or moderate injury.

**NOTICE!**

Indicates a situation that, if not avoided, can result in property damage.

**NOTE**

Supplementary information for operating the product.

## 2 Safety instructions

### 2.1 General safety



**WARNING! Failure to obey these warnings could result in death or serious injury.**

**Electrocution hazard**

- Ensure that the refrigerator has been installed by a qualified technician in accordance with the Dometic installation manual.
- Do not operate the refrigerator if it is visibly damaged.
- If this refrigerator's power cable is damaged, it must be replaced by the manufacturer, service agent or a similarly qualified person in order to prevent safety hazards.
- This refrigerator may only be repaired by qualified personnel. Inadequate repairs may cause serious hazards.

**Fire hazard**

- The refrigerant in the refrigerant circuit is highly flammable. In the event of any damage to the refrigerant circuit:
  - Switch off the refrigerator.
  - Avoid naked flames and sparks.
  - Air the room well.

**Explosion hazard**

- Do not store any explosive substances, such as spray cans with propellants, in the refrigerator.

**Health hazard**

- This refrigerator can be used by children aged from 8 years and above and persons with reduced physical, sensory or mental capabilities or lack of experience and knowledge if they have been given supervision or instruction concerning use of the refrigerator in a safe way and understand the hazards involved.
- Children shall not play with the refrigerator.

- Cleaning and user maintenance shall not be made by children without supervision.
- Children aged from 3 to 8 years are allowed to load and unload the refrigerator.



**CAUTION! Failure to obey these cautions could result in minor or moderate injury.**

**Risk of crushing**

- Do not put your fingers into the hinge.



**NOTICE! Damage hazard**

- Check that the voltage specification on the type plate is the same as that of the power supply.
- The refrigerator is not suitable for storing substances which are caustic or contain solvents.
- Keep the drainage outlet clean at all times.
- Do not open the refrigerant circuit under any circumstances.
- Only carry the refrigerator upright.

## 2.2 Operating the refrigerator safely



**DANGER! Failure to obey these warnings will result in death or serious injury.**

**Electrocution hazard**

- Do not touch exposed cables with your bare hands.



**CAUTION! Failure to obey these cautions could result in minor or moderate injury.**

**Electrocution hazard**

- Before starting the refrigerator, ensure that the power supply line and the plug are dry.

**Health hazard**

- The medicine and vaccines may only be stored in their original packaging or in suitable containers.
- Check if the required temperature range for the medicine or vaccine suits with the temperature range of this appliance.
- Opening the door for long periods can cause significant increase of the temperature in the compartments of the refrigerator.
- Clean regularly accessible drainage systems.

- If the refrigerator is left empty for long periods:
  - Switch off the refrigerator.
  - Defrost the refrigerator.
  - Clean and dry the refrigerator.
  - Leave the door open to prevent mold developing within the refrigerator.



### **NOTICE! Damage hazard**

- Do not use electrical devices inside the refrigerator unless they are recommended by the manufacturer for that purpose.
- Do not place it near naked flames or other heat sources (heaters, direct sunlight, gas ovens etc.).
- Ensure that the ventilation vents are not covered.
- Never immerse the refrigerator in water.
- Protect the refrigerator and the cable against heat and moisture.

## **3 Scope of delivery**

<b>Quantity</b>	<b>Description</b>
1	Refrigerator
1	Handle
1	Battery (CR1632)
1	Installation and operating manual

## **4 Intended use**

The medication refrigeration (also referred to as refrigerator) is designed to keep heat sensitive medicines according to DIN 58345 between +2 °C and +8 °C in enclosed buildings, such as:

- In hospitals, and health centers
- In retirement homes, and nursing homes

The refrigerator is not suitable for installation in caravans or mobile homes.

The refrigerator is intended to be used either as a built-in appliance or as freestanding refrigeration appliance. Refer to the installation instructions.

The refrigerator is designed exclusively for cooling and storing medicines and vaccines in closed containers.

- It's not suitable for storing any kind of body fluids like e.g. blood or plasma, or any body parts like e.g. human organs.
- It's not suitable for cooling and storing of beverages and foods, storing fresh foods, or freezing foodstuffs.

This refrigerator is only suitable for the intended purpose and application in accordance with these instructions.

This manual provides information that is necessary for proper installation and/or operation of the refrigerator. Poor installation and/or improper operating or maintenance will result in unsatisfactory performance and a possible failure.

The manufacturer accepts no liability for any injury or damage to the product resulting from:

- Incorrect assembly or connection, including excess voltage
- Incorrect maintenance or use of spare parts other than original spare parts provided by the manufacturer
- Alterations to the product without express permission from the manufacturer
- Use for purposes other than those described in this manual

Dometic reserves the right to change product appearance and product specifications.

## **5 Technical description**

### **5.1 Function description**

All materials used in the refrigerator are compatible for use with medicines.

The refrigerant circuit is maintenance-free.

The refrigerator is available as freestanding version (FS) and as built-in version (BIU).

The freestanding version (HC302FS, HC502FS) is intended for freestanding use. The cooling unit cover protects the warm parts of the cooling units. The foot frame with ventilation openings ensure sufficient ventilation. By removing the foot frame and cooling unit cover the refrigerator can be used as a built-in version.

The built-in version (HC302BIU, HC502BIU) is intended to be mounted into furniture. It doesn't have a foot frame or cooling unit cover.

The digital thermometer shows and stores the minimum and maximum inner temperatures from the last reset so that you can check whether the medicines have been stored at the appropriate temperatures.

## 5.2 Control elements

No. in fig. 1, page 3	Explanation
1	Door lock
2	Door
3	Digital thermometer (see fig. 2, page 3)
4	Cooling unit cover
5	Drawers
6	Interior light
7	Fan
8	Foot frame

Key to fig. 2, page 3

No.	Explanation
1	Current inner temperature (in °C)
2	Minimum inner temperature (in °C)
3	Maximum inner temperature (in °C)
4	Reset button

# 6 Installing and connecting the refrigerator

## 6.1 Unpacking the refrigerator

1. Check that the packaging is not damaged.
2. Remove the cardboard packaging.
3. Check that the refrigerator is not damaged.

If you find damage on the packaging or at the refrigerator resulting from transport, report it immediately to the transportation firm.

## 6.2 Installing freestanding version

Observe the following instructions when installing:

1. Install the refrigerator so that the warm air produced can easily flow away, either upwards or to the sides.
2. Place the refrigerator at the chosen place.
3. Leave the refrigerator to stand for at least four hours before you connect it to the power supply so that the refrigerant can flow back into the compressor.

## 6.3 Installing built-in version



### CAUTION!

Ensure the shelf is adequate to carry the total weight of the refrigerator and the contents to be stored.

Observe the following instructions when installing:

- Install the refrigerator so that the warm air produced can easily flow away (either upwards or to the front, see fig. **3**, page 4).

Key to fig. **3**, page 4

No.	Explanation
1	Cold intake air
2	Hot waste air

- Make sure that the refrigerator door is able to open at least 100°. Otherwise the drawers cannot be used.
1. Check the dimensions of the refrigerator (fig. **11**, page 8 or fig. **12**, page 8).
  2. Place the refrigerator according to fig. **4**, page 4 or fig. **5**, page 5.
  3. Mount the refrigerator to the furniture by two screws through the fittings at the bottom (fig. **6**, page 5).
  4. Leave the refrigerator to stand for at least four hours before you connect it to the power supply so that the refrigerant can flow back into the compressor.

## 6.4 Connecting the refrigerator to the power supply



### NOTICE!

- Connect the refrigerator to a separate circuit to prevent malfunctioning due to problems with other electrical equipment. Never connect the refrigerator to a single socket with other electrical equipment by means of a multi-socket.
- **UK only:** The refrigerator is supplied with a plug fitted with 3 A fuse. In case this fuse has to be changed, a 3 A ASTA approved (BS 1362) fuse must be used.

1. Connect the plug of the connection cable into the AC mains.
  2. Insert the battery into the thermometer (see chapter “Replacing the battery of the thermometer” on page 18).
- ✓ The display turns on.
- For the first two seconds the display will not show temperature values; it shows “--.”. Then the temperature read from the sensor is shown.

## 6.5 Mounting and removing the door handle

1. Mount the handle as shown (fig. **7**, page 6).
2. Remove the handle as shown (fig. **8**, page 6).

# 7 Operation

## 7.1 Before first use

Before first use, clean the refrigerator inside and outside with a damp cloth for hygienic reasons (see also chapter “Cleaning and maintenance” on page 19).

## 7.2 Saving energy

- Only open the medication refrigerator as often and for as long as necessary.
- For optimal energy consumption, position the shelves and drawers according to their position on delivery.
- On a regularly basis, make sure the door seal still fits properly.
- Clean dust and dirt from the condenser at regular intervals.



## 7.3 Switching on



### CAUTION!

Do not store medicines and medicinal products before the operating temperature range has been reached.

After the first start, after replacing the battery or after switching off the refrigerator for a longer time the display of the digital thermometer (fig. **2**, page 3) shows the current ambient temperature. When the inner temperature reaches the operating range the thermometer should be reset to avoid showing wrong maximum temperature value.

- ▶ Press the reset button (fig. **2** 4, page 3) for 5 s.

The thermometer has a blue backlight which makes the temperature values easier to read.

- ▶ Press the reset button (fig. **2** 4, page 3) briefly.

- ✓ The blue backlight lights for 2 s.

The thermometer stores the values of the minimum and maximum inner temperature since the last reset. These values are deleted when the thermometer is reset or the battery is changed.

## 7.4 Using the refrigerator



### CAUTION!

Always leave some space between the refrigerated goods in the refrigerator to ensure efficient and even cooling. If the drawers are packed too tightly there may be unacceptable temperature values.



### NOTICE! Damage hazard

Only store heavy objects such as bottles or cans on the bottom of the refrigerator.

## 7.5 Setting the temperature

The refrigerator is equipped with an automatic temperature regulation function. The temperature cannot be set.

## 7.6 Replacing the battery of the thermometer

Replace the battery of the thermometer as follows (fig. **9**, page 7):

1. Pull the key (**1**) from the lock.
2. Remove the lock cover rosette using two standard screwdrivers.
3. Remove both screws (**2**) from front panel.
4. Push the front panel (**3**) a bit upwards and remove it by slightly pulling.
5. Remove the battery (**4**).



### NOTICE!

Make sure the polarity is correct (the “+” must face up).

6. Insert the new battery (CR1632) in its holder.
7. Remount the front panel and lock cover rosette in reversed order.

## 7.7 Defrosting the refrigerator



### NOTE

In high ambient temperatures, the refrigerator may operate continuously, which can lead to excessive formation of frost on the rear wall of the refrigerator compartment.


Humidity can cause frost to form in the interior of the refrigerator or on the vaporizer.

A slight layer of frost or water droplets could form in the interior of the refrigerator if it has been cooling for longer periods. This is normal because the moisture in the air condenses to water when the temperature in the refrigerator drops. The refrigerator is **not** defective.

The condensate flows out through a water drain duct into a water container at the back of the refrigerator at top of the compressor, where it evaporates.

It is recommended to defrost the refrigerator every three weeks.

Proceed as follows:

1. Switch off the refrigerator: press the  button for more than 5 seconds.
2. Disconnect the refrigerator from the mains.
3. Remove the drawers (see chapter “Removing the drawers” on page 19).
4. Leave the door open.
5. After defrosting wipe out the cabinet interior with a clean, damp cloth.
6. Assemble the drawers.

## 7.8 Switching off and storing the refrigerator

If you do not intend to use the refrigerator for a long time, proceed as follows:

1. Disconnect the refrigerator from the mains.
2. Clean the refrigerator (see chapter "Cleaning and maintenance" on page 19).
3. Leave the door slightly open.  
This prevents smells from building up.

## 7.9 Removing the drawers

You can remove the drawers, e.g. for cleaning.

Proceed as follows (fig. **10**, page 7):

1. Open the door (**A**).
2. Pull out the drawer (**B**).
3. Push the fixing pins from the outside to the inside (**C**).
4. Remove the drawer (**D**).
5. Assemble the drawers in reverse order.

# 8 Cleaning and maintenance



### **WARNING! Electrocuting hazard**

Always disconnect the refrigerator from the mains before you clean and service it.



### **NOTICE! Damage hazard**

- Do not use abrasive cleaning agents or hard objects during cleaning as these can damage the refrigerator.
- Never use hard or sharp tools to remove ice or to free objects frozen onto the device.
- Do not use any mechanical tools or any other tools to speed up the defrosting process.

- ▶ Clean the refrigerator regularly and as soon as it becomes dirty with a damp cloth.
- ▶ Make sure that no water drips into the seals. This can damage the electronics.
- ▶ Wipe the refrigerator dry with a cloth after cleaning.
- ▶ Check the condensate drain regularly.

Clean the condensate drain when necessary. If it is blocked, the condensate collects on the bottom of the refrigerator.

- Clean the door seals regularly.

**Freestanding version:** Clean the grid of the condenser and the compressor on the back of the refrigerator with a vacuum cleaner regularly.

## 9 Troubleshooting

### Water in or under the refrigerator

Fault	Possible cause	Remedy
Water is leaking into the inside of the refrigerator.	The condensate drain duct is clogged.	Clean the drain.
	Medicines are preventing the water from flowing to the collector.	Make sure that medicines do not touch the rear wall.
Water is leaking onto the floor.	There is too much water in the water container.	Clean the water container.

### Display signals

Signal	Explanation
<p><b>General error</b></p> <p>The display blinks each second.</p>	The display shows alternately the current inner temperature and the active error code (fig. 2 1, page 3) (E1 or E2, see below).
<p><b>Sensor failure</b></p> <p>The display blinks and shows "E1".</p>	The minimum and maximum values will be kept as the last known values.
<p><b>Low battery</b></p> <p>The display blinks and shows "E2" alternately with the current temperature.</p>	The minimum and maximum inner temperatures are still visible and will be updated from the current inner temperature reading.

## 10 Warranty

The statutory warranty period applies. If the product is defective, please contact the manufacturer's branch in your country (see [dometic.com/dealer](http://dometic.com/dealer)) or your retailer.

For repair and warranty processing, please include the following documents when you send in the device:

- A copy of the receipt with purchasing date
- A reason for the claim or description of the fault

## 11 Disposal



### **NOTICE!**


An insulating gas is used in the refrigerator (see type plate). Check with the relevant local government authority or your local waste disposal company about proper disposal and make sure that the refrigerator and all materials are disposed of professionally.

- ▶ Place the packaging material in the appropriate recycling waste bins wherever possible.



If you wish to finally dispose of the product, ask your local recycling centre or specialist dealer for details about how to do this in accordance with the applicable disposal regulations.

## 12 Technical data

	<b>HC 302</b>	<b>HC502</b>
Total volume:	33 l	49 l
Connection voltage:	220 – 240 V	
Energy consumption:	0.42 kWh/24 h	0.44 kWh/24 h
Power consumption:	0.54 A	
Cooling capacity:	+2 °C to +8 °C	
Climatic class:	SN	
Intended ambient temperature use:	+10 °C to +32 °C	
Refrigerant:	R134a	
Refrigerant quantity:	38 g	
CO <sub>2</sub> equivalent:	0.054 t	
Global warming potential (GWP):	1430	
Dimensions:	see fig. <b>11</b> , page 8	see fig. <b>12</b> , page 8
Weight:	approx. 20 kg	approx. 22 kg
Inspection/certification:		

This product contains fluorinated greenhouse gases.

The cooling unit is hermetically sealed.

Lesen und befolgen Sie bitte alle Anweisungen, Richtlinien und Warnhinweise in diesem Produkthandbuch sorgfältig, um sicherzustellen, dass Sie das Produkt ordnungsgemäß installieren und stets ordnungsgemäß betreiben und warten. Diese Anleitung MUSS bei dem Produkt verbleiben.

Durch die Verwendung des Produktes bestätigen Sie hiermit, dass Sie alle Anweisungen, Richtlinien und Warnhinweise sorgfältig gelesen haben und dass Sie die hierin dargelegten Bestimmungen verstanden haben und ihnen zustimmen. Sie erklären sich damit einverstanden, dieses Produkt nur für den angegebenen Verwendungszweck und gemäß den Anweisungen, Richtlinien und Warnhinweisen dieses Produkthandbuchs sowie gemäß allen geltenden Gesetzen und Vorschriften zu verwenden. Eine Nichtbeachtung der hierin enthaltenen Anweisungen und Warnhinweise kann zu einer Verletzung Ihrer selbst und anderer Personen, zu Schäden an Ihrem Produkt oder zu Schäden an anderem Eigentum in der Umgebung führen. Dieses Produkthandbuch, einschließlich der Anweisungen, Richtlinien und Warnhinweise, sowie die zugehörige Dokumentation können Änderungen und Aktualisierungen unterliegen. Aktuelle Produktinformationen finden Sie unter [dometic.com](http://dometic.com).

## Inhaltsverzeichnis

1	Erklärung der Symbole	23
2	Sicherheitshinweise	24
3	Bestimmungsgemäßer Gebrauch	26
4	Lieferumfang	28
5	Technische Beschreibung	28
6	Kühlschrank aufstellen und anschließen	29
7	Betrieb	31
8	Reinigung und Pflege	34
9	Störungsbeseitigung	35
10	Garantie	36
11	Entsorgung	36
12	Technische Daten	37

## 1 Erklärung der Symbole



### GEFAHR!

**Sicherheitshinweis** auf eine Gefahrensituation, die zum Tod oder zu schwerer Verletzung führt, wenn sie nicht vermieden wird.



### WARNUNG!

**Sicherheitshinweis** auf eine Gefahrensituation, die zum Tod oder zu schwerer Verletzung führen kann, wenn sie nicht vermieden wird.

**VORSICHT!**

**Sicherheitshinweis** auf eine Gefahrensituation, die zu einer leichten oder mittelschweren Verletzung führen kann, wenn sie nicht vermieden wird.

**ACHTUNG!**

Hinweis auf eine Situation, die zu Sachschäden führen kann, wenn sie nicht vermieden wird.

**HINWEIS**

Ergänzende Informationen zur Bedienung des Produktes.

## 2 Sicherheitshinweise

### 2.1 Grundlegende Sicherheit



**WARNUNG! Nichtbeachtung dieser Warnungen kann zum Tod oder schwerer Verletzung führen.**

**Gefahr durch Stromschlag**

- Stellen Sie sicher, dass der Kühlschrank von einem qualifizierten Techniker gemäß der Dometic Montageanleitung installiert wurde.
- Wenn der Kühlschrank sichtbare Beschädigungen aufweist, dürfen Sie ihn nicht in Betrieb nehmen.
- Wenn das Anschlusskabel des Kühlschranks beschädigt ist, muss es durch den Hersteller, einen Kundendienstmitarbeiter bzw. eine entsprechend ausgebildete Fachkraft ersetzt werden, um Gefahren zu verhindern.
- Reparaturen an diesem Kühlschrank dürfen nur von Fachkräften durchgeführt werden. Durch unsachgemäße Reparaturen können erhebliche Gefahren entstehen.

**Brandgefahr**

- Das Kältemittel im Kühlkreislauf ist leicht entflammbar. Bei einer Beschädigung des Kühlkreislaufs:
  - Schalten Sie den Kühlschrank aus.
  - Vermeiden Sie offenes Feuer und Zündfunken.
  - Lüften Sie den Raum gut.



**Explosionsgefahr**

- Lagern Sie keine explosionsfähigen Stoffe wie z. B. Sprühdosen mit brennbarem Treibgas im Kühlschrank.

**Gesundheitsgefahr**

- Dieser Kühlschrank kann von Kindern ab 8 Jahren und von Personen mit verringerten physischen, sensorischen oder mentalen Fähigkeiten oder Mangel an Erfahrung und/oder Wissen verwendet werden, wenn diese Personen beaufsichtigt werden oder im sicheren Gebrauch des Kühlschranks unterwiesen wurden und die daraus resultierenden Gefahren verstanden haben.
- Kinder dürfen nicht mit dem Kühlschrank spielen.
- Reinigung und Benutzerwartung dürfen nicht durch unbeaufsichtigte Kinder durchgeführt werden.
- Kinder von 3 bis 8 Jahren dürfen den Kühlschrank be- und entladen.



**VORSICHT! Nichtbeachtung dieser Hinweise kann zu geringer oder mittelschwerer Verletzung führen.**

**Quetschgefahr**

- Fassen Sie nicht in das Scharnier.

**ACHTUNG! Beschädigungsgefahr**

- Prüfen Sie, ob die Spannungsangabe auf dem Typenschild mit der vorhandenen Energieversorgung übereinstimmt.
- Der Kühlschrank ist nicht geeignet für die Lagerung ätzender oder lösmittelhaltiger Stoffe.
- Halten Sie die Abflussöffnung stets sauber.
- Öffnen Sie auf keinen Fall den Kühlkreislauf.
- Transportieren Sie den Kühlschrank nur in aufrechter Stellung.

## 2.2 Sicherheit beim Betrieb des Kühlgeräts



**GEFAHR! Nichtbeachtung dieser Warnungen kann zum Tod oder schwerer Verletzung führen.**

**Gefahr durch Stromschlag**

- Fassen Sie nie mit bloßen Händen an blanke Leitungen.



**VORSICHT! Nichtbeachtung dieser Hinweise kann zu geringer oder mittelschwerer Verletzung führen.**

#### **Gefahr durch Stromschlag**

- Achten Sie vor der Inbetriebnahme des Kühlschranks darauf, dass Zuleitung und Stecker trocken sind.

#### **Gesundheitsgefahr**

- Medikamente und Impfstoffe dürfen nur in ihren Originalverpackungen oder in geeigneten Behältern gelagert werden.
- Prüfen Sie, ob der erforderliche Temperaturbereich für das Medikament oder den Impfstoff mit dem Temperaturbereich dieses Geräts übereinstimmt.
- Ein längeres Öffnen der Tür kann zu einem erheblichen Anstieg der Temperatur in den Fächern des Kühlschranks führen.
- Reinigen Sie regelmäßig zugängliche Ablaufsysteme.
- Wenn der Kühlschrank über längere Zeiträume leer bleibt:
  - Schalten Sie den Kühlschrank aus.
  - Tauen Sie den Kühlschrank ab.
  - Reinigen und trocknen Sie den Kühlschrank.
  - Lassen Sie die Tür offenstehen, um Schimmelbildung im Kühlschrank zu verhindern.



#### **ACHTUNG! Beschädigungsgefahr**

- Benutzen Sie keine Elektrogeräte innerhalb des Kühlschranks, außer wenn diese Elektrogeräte vom Hersteller dafür empfohlen werden.
- Stellen Sie das Gerät nicht in der Nähe von offenen Flammen oder anderen Wärmequellen (Heizung, starke Sonneneinstrahlung, Gasöfen usw.) ab.
- Stellen Sie sicher, dass die Lüftungsöffnungen nicht abgedeckt sind.
- Tauchen Sie den Kühlschrank nie in Wasser.
- Schützen Sie den Kühlschrank und die Kabel vor Hitze und Nässe.

## **3 Bestimmungsgemäßer Gebrauch**

Der Medikamentenkühlschrank (auch als Kühlschrank bezeichnet) ist dazu bestimmt, wärmeempfindliche Medikamente gemäß DIN 58345 zwischen +2 °C und +8 °C in geschlossenen Gebäuden aufzubewahren, wie z. B.:

- Krankenhäuser und Gesundheitszentren

- Alten- und Pflegeheime

Der Kühlschrank ist nicht für den Einbau in Wohnwagen oder Wohnmobile geeignet.

Der Kühlschrank ist entweder als Einbaugerät oder als freistehendes Kühlgerät zu verwenden. Beachten Sie die Installationsanleitung.

Der Kühlschrank ist ausschließlich zur Kühlung und Aufbewahrung von Medikamenten und Impfstoffen in geschlossenen Behältern bestimmt.

- Es ist nicht zur Aufbewahrung von Körperflüssigkeiten, wie z. B. Blut oder Plasma, oder Teilen des Körpers, wie z. B. menschlichen Organen, geeignet.
- Es ist nicht zum Kühlen und Lagern von Getränken und Lebensmitteln, zum Lagern von frischen Lebensmitteln oder zum Einfrieren von Lebensmitteln geeignet.

Dieser Kühlschrank ist nur für den angegebenen Verwendungszweck und die Anwendung gemäß dieser Anleitung geeignet.

Dieses Handbuch enthält Informationen, die für die ordnungsgemäße Installation und den ordnungsgemäßen Betrieb des Kühlschranks erforderlich sind. Installationsfehler und/oder ein nicht ordnungsgemäßer Betrieb oder nicht ordnungsgemäße Wartung haben eine unzureichende Leistung und u. U. einen Ausfall des Geräts zur Folge.

Der Hersteller übernimmt keine Haftung für Verletzungen oder Schäden am Produkt, die durch Folgendes entstehen:

- Unsachgemäße Montage oder falscher Anschluss, einschließlich Überspannung
- Unsachgemäße Wartung oder Verwendung von anderen als den vom Hersteller gelieferten Original-Ersatzteilen
- Veränderungen am Produkt ohne ausdrückliche Genehmigung des Herstellers
- Verwendung für andere als die in der Anleitung beschriebenen Zwecke

Dometic behält sich das Recht vor, das Erscheinungsbild des Produkts und dessen technische Daten zu ändern.

## 4 Lieferumfang

Anzahl	Beschreibung
1	Kühlschrank
1	Tragegriff
1	Batterie (CR1632)
1	Montage- und Bedienungsanleitung

## 5 Technische Beschreibung

### 5.1 Funktionsbeschreibung

Alle im Kühlgerät verwendeten Materialien sind unbedenklich für Medikamente.

Der Kühlkreislauf ist wartungsfrei.

Der Kühlschrank ist als freistehende Version (FS) und als Einbauversion (BIU) erhältlich.

Die freistehende Version (HC 302FS, HC 502FS) ist für den freistehenden Einsatz vorgesehen. Die Kühlaggregatabdeckung schützt die warmen Teile der Kühlaggregate. Der Fußrahmen mit den Lüftungsöffnungen sorgt für eine ausreichende Belüftung. Durch Entfernen des Fußrahmens und der Kühlaggregatabdeckung kann der Kühlschrank als Einbauversion verwendet werden.

Die Einbauversion (HC 302BIU, HC 502BIU) ist für den Einbau in Möbel vorgesehen. Sie hat keinen Fußrahmen und keine Kühlaggregatabdeckung.

Das Digitalthermometer speichert die minimale und maximale Innentemperatur ab der letzten Rücksetzung, die zur Überprüfung der ordnungsgemäßen Lagerung der Medikamente bei den empfohlenen Temperaturen angezeigt werden können.

## 5.2 Bedienelemente

Nr. in Abb. <b>1</b> , Seite 3	Erläuterung
1	Türverriegelung
2	Klappe
3	Digitalthermometer (siehe Abb. <b>2</b> , Seite 3)
4	Kühlaggregatabdeckung
5	Schubladen
6	Innenbeleuchtung
7	Lüfter
8	Fußrahmen

Legende zu Abb. **2**, Seite 3

Pos.	Erläuterung
1	Aktuelle Innentemperatur (in °C)
2	Minimale Innentemperatur (in °C)
3	Maximale Innentemperatur (in °C)
4	Reset-Taste

## 6 Kühlschrank aufstellen und anschließen

### 6.1 Kühlschrank auspacken

1. Prüfen Sie, ob die Verpackung beschädigt ist.
2. Entfernen Sie die Kartonverpackung.
3. Prüfen Sie, ob der Kühlschrank beschädigt ist.

Wenn Sie Transportschäden an der Verpackung oder am Kühlschrank feststellen, melden Sie diese sofort der Transportfirma.

## 6.2 Freistehende Version aufstellen

Beachten Sie folgende Hinweise beim Einbau:

1. Stellen Sie den Kühlschrank so auf, dass die erwärmte Luft gut entweder nach oben oder zu den Seiten abziehen kann.
2. Stellen Sie den Kühlschrank an den gewählten Platz.
3. Lassen Sie den Kühlschrank mindestens vier Stunden stehen, bevor Sie ihn elektrisch anschließen, damit das Kühlmittel in den Kompressor zurückfließen kann.

## 6.3 Einbauversion aufstellen



### VORSICHT!

Stellen Sie das Gerät nur auf einer Unterlage ab, die für das Gesamtgewicht des Kühlschranks sowie des zu lagernden Inhalts ausgelegt ist.

Beachten Sie folgende Hinweise beim Einbau:

- Stellen Sie den Kühlschrank so auf, dass die erwärmte Luft gut abziehen kann (entweder nach oben oder zur Vorderseite, siehe Abb. **3**, Seite 4).

Legende zu Abb. **3**, Seite 4

Pos.	Erläuterung
1	kalte Zuluft
2	warme Abluft

- Stellen Sie sicher, dass die Tür des Kühlschranks mindestens um 100° geöffnet werden kann. Andernfalls ist eine Benutzung der Schubladen nicht möglich.
1. Überprüfen Sie die Abmessungen des Kühlschranks (Abb. **11**, Seite 8 oder Abb. **12**, Seite 8).
  2. Stellen Sie den Kühlschrank gemäß Abb. **4**, Seite 4 oder Abb. **5**, Seite 5 auf.
  3. Befestigen Sie den Kühlschrank mit zwei Schrauben durch die Beschläge an der Unterseite am Möbelstück (Abb. **6**, Seite 5).
  4. Lassen Sie den Kühlschrank mindestens vier Stunden stehen, bevor Sie ihn elektrisch anschließen, damit das Kühlmittel in den Kompressor zurückfließen kann.

## 6.4 Kühlschranks elektrisch anschließen



### ACHTUNG!

- Schließen Sie den Kühlschrank an einen separaten Stromkreis an, um Fehlfunktionen aufgrund von Problemen mit anderen elektrischen Geräten zu vermeiden. Schließen Sie den Kühlschrank niemals mit anderen elektrischen Geräten über eine Mehrfachsteckdose an eine einzige Steckdose an.
- **Nur UK:** Der Kühlschrank wird mit einem Stecker geliefert, der mit einer 3-A-Sicherung ausgestattet ist. Falls die Sicherung ausgewechselt werden muss, ist eine 3-A-Sicherung mit ASTA-Zulassung (BS 1362) zu verwenden.

1. Stecken Sie den Stecker des Verbindungskabels in die Steckdose.
  2. Legen Sie die Batterie in das Thermometer ein (siehe Kapitel „Batterie des Thermometers austauschen“ auf Seite 33).
- ✓ Das Display schaltet sich ein.
- In den ersten zwei Sekunden zeigt das Display keine Temperaturwerte an; es zeigt „--.“. Danach wird die vom Sensor ausgelesene Temperatur angezeigt.

## 6.5 Türgriff montieren und entfernen

1. Montieren Sie den Griff wie abgebildet (Abb. **7**, Seite 6).
2. Entfernen Sie den Griff wie abgebildet (Abb. **8**, Seite 6).

# 7 Betrieb

## 7.1 Vor dem ersten Gebrauch

Reinigen Sie den Kühlschrank vor dem ersten Gebrauch aus hygienischen Gründen innen und außen mit einem feuchten Tuch (siehe auch Kapitel „Reinigung und Pflege“ auf Seite 34).

## 7.2 Energie sparen

- Öffnen Sie den Medikamentenkühlschrank nur so oft und so lange wie nötig.
- Für einen optimalen Energieverbrauch positionieren Sie die Regale und Schubladen entsprechend ihrer Position bei der Auslieferung.

- Prüfen Sie in regelmäßigen Abständen, ob die Dichtung der Tür noch richtig sitzt.
- Befreien Sie den Kondensator in regelmäßigen Abständen von Staub und Verunreinigungen.

### 7.3 Einschalten



#### **VORSICHT!**

Lagern Sie erst Medikamente und Medizinprodukte in dem Gerät, wenn der Betriebstemperaturbereich erreicht ist.

Nach der Erstinbetriebnahme, nach einem Batteriewechsel oder nach längerem Ausschalten des Kühlschranks zeigt das Display des Digitalthermometers (Abb. **2**, Seite 3) die aktuelle Umgebungstemperatur an. Wenn die Innentemperatur den Betriebsbereich erreicht, sollte das Thermometer zurückgesetzt werden, um zu vermeiden, dass ein falscher maximaler Temperaturwert angezeigt wird.

- ▶ Drücken Sie die Reset-Taste (Abb. **2** 4, Seite 3) 5 Sekunden lang.

Das Thermometer hat eine blaue Hintergrundbeleuchtung, die das Ablesen der Temperaturwerte erleichtert.

- ▶ Drücken Sie kurz die Reset-Taste (Abb. **2** 4, Seite 3).

✓ Die blaue Hintergrundbeleuchtung leuchtet 2 Sekunden lang.

Das Thermometer speichert die Werte der minimalen und maximalen Innentemperatur seit dem letzten Reset. Diese Werte werden gelöscht, wenn das Thermometer zurückgesetzt oder die Batterie gewechselt wird.

### 7.4 Kühlschrank verwenden



#### **VORSICHT!**

Lassen Sie etwas Freiraum zwischen den gekühlten Gegenständen im Kühlschrank, damit eine effiziente und gleichmäßige Kühlung sichergestellt ist. Wenn die Schubladen zu dicht beladen werden, kann dies zu unzulässigen Temperaturwerten führen.



#### **ACHTUNG! Beschädigungsgefahr**

Verstauen Sie schwere Gegenstände wie z. B. Flaschen oder Dosen ausschließlich auf dem Boden des Kühlschranks.



## 7.5 Einstellen der Temperatur

Der Kühlschrank ist mit einer automatischen Temperaturregelung ausgestattet. Die Temperatur kann nicht eingestellt werden.

## 7.6 Batterie des Thermometers austauschen

Tauschen Sie die Batterie des Thermometers wie folgt aus (Abb. **9**, Seite 7):

1. Ziehen Sie den Schlüssel (**1**) aus dem Schloss.
2. Entfernen Sie die Abdeckrosette des Schlosses mit zwei handelsüblichen Schraubendrehern.
3. Entfernen Sie die beiden Schrauben (**2**) aus der Frontplatte.
4. Schieben Sie die Frontplatte (**3**) ein Stück nach oben und nehmen Sie sie durch leichtes Ziehen ab.
5. Entnehmen Sie die Batterie (**4**).



### ACHTUNG!

Achten Sie auf die richtige Polung (das „+“ muss nach oben zeigen).

6. Legen Sie die neue Batterie (CR1632) in die Halterung ein.
7. Bringen Sie die Frontplatte und die Abdeckrosette des Schlosses in umgekehrter Reihenfolge wieder an.

## 7.7 Kühlschrank abtauen



### HINWEIS

Bei sehr hoher Umgebungstemperatur kann es vorkommen, dass der Kühlschrank ununterbrochen arbeitet, was zu einer übermäßigen Reifbildung an der Rückwand des Kühlfachs führt.


Luftfeuchtigkeit kann sich im Innenraum des Kühlschranks oder am Verdampfer als Reif niederschlagen.

Eine leichte Reifschicht oder Wassertropfen können sich im Inneren des Kühlschranks absetzen, wenn er längere Zeit gekühlt hat. Dies ist normal, weil die Feuchtigkeit in der Luft zu Wassertropfen kondensiert, wenn die Temperatur im Kühlschrank abkühlt. Der Kühlschrank ist **nicht** defekt.

Das Kondensat fließt durch eine Wasserablaufeitung in einen Wasserbehälter auf der Rückseite des Kühlschranks oberhalb des Kompressors, wo es verdunstet.

Es wird empfohlen, den Kühlschrank alle drei Wochen abzutauen.

Gehen Sie wie folgt vor:

1. Zum Ausschalten des Kühlschranks drücken Sie die Taste  mehr als 5 Sekunden lang.
2. Trennen Sie den Kühlschrank vom Netz.
3. Nehmen Sie die Schubladen heraus (siehe Kapitel „Schubfächer herausnehmen“ auf Seite 34).
4. Lassen Sie die Tür geöffnet.
5. Wischen Sie nach dem Abtauen den Schrankinnenraum mit einem sauberen, feuchten Tuch aus.
6. Bauen Sie die Schubladen wieder ein.

## 7.8 Kühlschrank ausschalten und stilllegen

Wenn Sie den Kühlschrank für längere Zeit stilllegen wollen, gehen Sie wie folgt vor:

1. Trennen Sie den Kühlschrank vom Netz.
2. Reinigen Sie den Kühlschrank (siehe Kapitel „Reinigung und Pflege“ auf Seite 34).
3. Lassen Sie die Tür leicht geöffnet.  
So verhindern Sie, dass sich Gerüche bilden.

## 7.9 Schubfächer herausnehmen

Sie können die Schubladen herausnehmen, z. B. zum Reinigen.

Gehen Sie wie folgt vor (Abb. **10**, Seite 7):

1. Öffnen Sie die Tür (**A**).
2. Ziehen Sie die Schublade heraus (**B**).
3. Drücken Sie die Befestigungsstifte von außen nach innen (**C**).
4. Nehmen Sie die Schublade heraus (**D**).
5. Setzen Sie die Schubladen in umgekehrter Reihenfolge wieder ein.

# 8 Reinigung und Pflege



### **WARNUNG! Lebensgefahr durch Stromschlag**

Trennen Sie vor jeder Reinigung und Pflege den Kühlschrank vom Netz.



**ACHTUNG! Beschädigungsgefahr**

- Verwenden Sie zur Reinigung keine scharfen Reinigungsmittel oder harten Gegenstände, da diese den Kühlschrank beschädigen können.
- Verwenden Sie nie harte oder spitze Werkzeuge zum Entfernen von Eisschichten oder zum Lösen festgefrorener Gegenstände.
- Verwenden Sie keine mechanischen oder andere Hilfsmittel, um den Abtauvorgang zu beschleunigen.

- ▶ Reinigen Sie den Kühlschrank regelmäßig und sobald er verschmutzt ist mit einem feuchten Tuch.
- ▶ Achten Sie darauf, dass kein Wasser in die Dichtungen tropft. Dies kann die Elektronik beschädigen.
- ▶ Wischen Sie den Kühlschrank nach dem Reinigen mit einem Tuch trocken.
- ▶ Prüfen Sie den Tauwasserabfluss regelmäßig.  
Reinigen Sie den Tauwasserabfluss, falls nötig. Wenn er verstopft ist, sammelt sich das Tauwasser auf dem Boden des Kühlschranks.
- ▶ Reinigen Sie regelmäßig die Türdichtungen.

**Freistehende Version:** Reinigen Sie regelmäßig das Gitter des Kondensators und den Kompressor auf der Kühlschrankrückseite mit einem Staubsauger.

## 9 Störungsbeseitigung

### Wasser im oder unter dem Kühlschrank

Störung	Mögliche Ursache	Beseitigung
Wasser fließt in den Innenraum des Kühlschranks	Der Kondenswasserablauf ist verstopft.	Reinigen Sie den Ablauf.
	Die eingelagerten Medikamente verhindern, dass das Wasser zum Kollektor fließt.	Stellen Sie sicher, dass die Medikamente nicht die Rückwand berühren.
Wasser fließt auf den Boden.	Es befindet sich zu viel Wasser im Wasserbehälter.	Reinigen Sie den Wasserbehälter.

## Display-Signale

Signal	Erläuterung
<b>Allgemeiner Fehler</b> Das Display blinkt im Sekundentakt.	Im Display wird abwechselnd die aktuelle Innentemperatur und der aktive Fehlercode (Abb. <b>2</b> 1, Seite 3) angezeigt (E1 oder E2, siehe unten).
<b>Sensorausfall</b> Das Display blinkt und zeigt „E1“ an.	Die minimalen und maximalen Werte werden als letzte bekannte Werte beibehalten.
<b>Batterie leer</b> Das Display blinkt und zeigt „E2“ im Wechsel mit der aktuellen Temperatur an.	Die minimalen und maximalen Innentemperaturen sind weiterhin sichtbar und werden anhand der aktuellen Innentemperaturmesswerte aktualisiert.

## 10 Garantie

Es gilt die gesetzliche Gewährleistungsfrist. Sollte das Produkt defekt sein, wenden Sie sich bitte an die Niederlassung des Herstellers in Ihrem Land (siehe [dometic.com/dealer](http://dometic.com/dealer)) oder an Ihren Fachhändler.

Zur Reparatur- bzw. Gewährleistungsbearbeitung müssen Sie folgende Unterlagen mitschicken:

- eine Kopie der Rechnung mit Kaufdatum,
- einen Reklamationsgrund oder eine Fehlerbeschreibung.

## 11 Entsorgung



### ACHTUNG!



Bei dem Kühlschrank kommt ein Isolationsgas zur Anwendung (siehe Typenschild). Erkundigen Sie sich bei der zuständigen kommunalen Verwaltungsbehörde oder Ihrem örtlichen Entsorgungsunternehmen über die korrekte Entsorgung und stellen Sie sicher, dass der Kühlschrank und sämtliche Stoffe einer fachgerechten Entsorgung zugeführt werden.

- Geben Sie das Verpackungsmaterial möglichst in den entsprechenden Recycling-Müll.



Wenn Sie das Produkt endgültig außer Betrieb nehmen, informieren Sie sich bitte beim nächsten Recyclingcenter oder bei Ihrem Fachhändler über die zutreffenden Entsorgungsvorschriften.

## 12 Technische Daten

	HC302	HC502
Gesamtinhalt:	33 l	49 l
Anschlussspannung:	220 – 240 V	
Energieverbrauch:	0,42 kWh/24 h	0,44 kWh/24 h
Leistungsaufnahme:	0,54 A	
Kühlleistung:	+2 °C bis +8 °C	
Klimaklasse:	SN	
Bestimmungsgemäßer Gebrauch bei Umgebungstemperatur:	+10 °C bis +32 °C	
Kältemittel:	R134a	
Kältemittelmenge:	38 g	
CO <sub>2</sub> -Äquivalent:	0,054 t	
Treibhauspotential (GWP):	1430	
Abmessungen:	siehe Abb. <b>11</b> , Seite 8	siehe Abb. <b>12</b> , Seite 8
Gewicht:	ca. 20 kg	ca. 22 kg
Prüfung/Zertifikat:	 	

Enthält fluoridierte Treibhausgase

Hermetisch geschlossene Einrichtung

Veillez lire et suivre attentivement l'ensemble des instructions, directives et avertissements figurant dans ce manuel afin de vous assurer que vous installez, utilisez et entretenez le produit correctement à tout moment. Ces instructions DOIVENT rester avec ce produit.

En utilisant le produit, vous confirmez par la présente que vous avez lu attentivement l'ensemble des instructions, directives et avertissements et que vous comprenez et acceptez de respecter les modalités et conditions énoncées dans le présent document. Vous acceptez d'utiliser ce produit uniquement pour l'usage et l'application prévus et conformément aux instructions, directives et avertissements figurant dans le manuel du produit, ainsi qu'à toutes les lois et réglementations applicables. Si vous ne lisez et ne respectez pas les instructions et les avertissements figurant dans ce manuel, vous risquez de vous blesser ou de blesser d'autres personnes, d'endommager votre produit ou d'endommager d'autres biens à proximité. Le présent manuel produit, y compris les instructions, directives et avertissements, ainsi que la documentation associée peuvent faire l'objet de modifications et de mises à jour. Pour obtenir des informations actualisées sur le produit, rendez-vous sur [dometic.com](http://dometic.com).

## Sommaire

1	Explication des symboles . . . . .	38
2	Consignes de sécurité . . . . .	39
3	Usage conforme . . . . .	41
4	Contenu de la livraison . . . . .	42
5	Description technique . . . . .	43
6	Installation et raccordement du réfrigérateur . . . . .	44
7	Utilisation . . . . .	46
8	Nettoyage et maintenance . . . . .	49
9	Guide de dépannage . . . . .	50
10	Garantie . . . . .	51
11	Mise au rebut . . . . .	51
12	Caractéristiques techniques . . . . .	52

## 1 Explication des symboles



### **DANGER !**

**Consigne de sécurité** signalant une situation dangereuse qui entraîne la mort ou de graves blessures si elle n'est pas évitée.



### **AVERTISSEMENT !**

**Consigne de sécurité** signalant une situation dangereuse qui peut entraîner la mort ou de graves blessures si elle n'est pas évitée.

**ATTENTION !**

**Consigne de sécurité** signalant une situation dangereuse qui peut entraîner des blessures de gravité moyenne ou légère si elle n'est pas évitée.

**AVIS !**

Remarque signalant une situation qui peut entraîner des dommages matériels si elle n'est pas évitée.

**REMARQUE**

Informations complémentaires sur l'utilisation du produit.

## 2 Consignes de sécurité

### 2.1 Sécurité générale



**AVERTISSEMENT ! Le non-respect de ces mises en garde peut entraîner des blessures graves, voire mortelles.**

**Risque d'électrocution**

- Assurez-vous que le réfrigérateur a été installé par un technicien qualifié conformément au manuel d'installation de Dometic.
- Si le réfrigérateur présente des dégâts visibles, vous ne devez pas le mettre en service.
- Si le câble de raccordement du réfrigérateur est endommagé, il doit être remplacé par le fabricant, un agent de maintenance ou une personne de qualification similaire, afin d'éviter tout danger.
- Seul un professionnel est habilité à réparer le réfrigérateur. Toute réparation mal effectuée risquerait d'entraîner de graves dangers.

**Risque d'incendie**

- Le réfrigérant du circuit frigorifique s'enflamme facilement.  
En cas d'endommagement du circuit frigorifique :
  - Éteignez le réfrigérateur.
  - Évitez toute flamme nue et/ou étincelle.
  - Aérez bien la pièce.

**Risque d'explosion**

- Ne stockez aucune substance explosive (comme des aérosols contenant des gaz combustibles, par exemple) dans le réfrigérateur.

**Risque pour la santé**

- Ce réfrigérateur peut être utilisé par des enfants âgés de 8 ans et plus et des personnes ayant des capacités physiques, sensorielles ou mentales réduites ou un manque d'expérience et de connaissances, s'ils sont sous surveillance ou ont reçu des instructions sur l'utilisation du réfrigérateur en toute sécurité et comprennent les risques impliqués.
- Les enfants ne doivent pas jouer avec le réfrigérateur.
- Le nettoyage et l'entretien ne doivent pas être effectués par des enfants sans surveillance.
- Les enfants âgés de 3 à 8 ans peuvent remplir et vider le réfrigérateur.



**ATTENTION ! Le non-respect de ces mises en garde peut entraîner des blessures légères ou de gravité modérée.**

**Risque d'écrasement**

- Ne touchez pas la charnière.

**AVIS ! Risque d'endommagement**

- Vérifiez que la tension indiquée sur la plaque signalétique correspond à l'alimentation électrique dont vous disposez.
- N'utilisez pas le réfrigérateur pour le stockage de produits corrosifs ou de solvants.
- Veillez à ce que l'ouverture d'évacuation soit toujours propre.
- N'ouvrez jamais le circuit frigorifique.
- Portez uniquement le réfrigérateur en position verticale.

## 2.2 Sécurité d'exploitation de l'équipement de réfrigération



**DANGER ! Le non-respect de cette mise en garde entraînera des blessures graves, voire mortelles.**

**Risque d'électrocution**

- Ne touchez jamais les lignes électriques dénudées avec les mains nues.





**ATTENTION ! Le non-respect de ces mises en garde peut entraîner des blessures légères ou de gravité modérée.**

**Risque d'électrocution**

- Avant de mettre le réfrigérateur en service, assurez-vous que le câble et la prise d'alimentation électrique sont secs.

**Risque pour la santé**

- Les médicaments et les vaccins doivent être conservés dans leur emballage d'origine ou dans des récipients appropriés.
- Vérifiez si la plage de température requise pour le médicament ou le vaccin est adaptée à la plage de température de cet appareil.
- Une ouverture prolongée de la porte peut entraîner une augmentation significative de la température dans les compartiments du réfrigérateur.
- Nettoyez les systèmes de drainage régulièrement accessibles.
- Si le réfrigérateur reste vide pendant une période prolongée :
  - Éteignez le réfrigérateur.
  - Dégivrez le réfrigérateur.
  - Nettoyez et séchez le réfrigérateur.
  - Laissez la porte ouverte pour éviter que des moisissures ne se forment à l'intérieur du réfrigérateur.



**AVIS ! Risque d'endommagement**

- N'exploitez aucun appareil électrique à l'intérieur du réfrigérateur, sauf si le fabricant le recommande.
- Ne placez pas l'appareil près de flammes ou d'autres sources de chaleur (chauffage, rayons solaires, fours à gaz etc.).
- Assurez-vous que les orifices d'aération ne sont pas recouverts.
- N'immergez jamais le réfrigérateur dans l'eau.
- Tenez le réfrigérateur et les câbles à l'abri de la chaleur et de l'humidité.

### 3 Usage conforme

Le réfrigérateur de médicaments (également appelé réfrigérateur) est conçu pour conserver les médicaments sensibles à la chaleur conformément à la norme DIN 58345 entre +2 °C et +8 °C dans des bâtiments fermés, tels que :

- Dans les hôpitaux et les centres de santé
- Dans les maisons de retraite et centres de soins

Le réfrigérateur n'est pas adapté à une installation dans les caravanes ou mobile-homes.

Le réfrigérateur est destiné à être utilisé comme appareil intégré ou autonome. Consultez les instructions d'installation.

Le réfrigérateur est conçu exclusivement pour le refroidissement et le stockage de médicaments et vaccins dans des récipients fermés.

- Il ne convient pas au stockage de fluides corporels tels que le sang ou le plasma, ni de parties du corps comme les organes humains.
- Il ne convient pas au refroidissement et à la conservation de boissons et d'aliments, à la conservation d'aliments frais ou à la congélation de denrées alimentaires.

Le réfrigérateur convient uniquement à l'usage et à l'application prévus, conformément au présent manuel d'instructions.

Ce manuel fournit les informations nécessaires à l'installation et/ou à l'utilisation correcte du réfrigérateur. Une installation, une utilisation ou un entretien inappropriés entraînera des performances insatisfaisantes et une éventuelle défaillance.

Le fabricant décline toute responsabilité en cas de blessure ou de dommage résultant :

- d'un montage ou d'un raccordement incorrect, y compris d'une surtension
- d'un entretien inadapté ou de l'utilisation de pièces de rechange autres que les pièces de rechange d'origine fournies par le fabricant
- des modifications apportées au produit sans autorisation explicite du fabricant ;
- des usages différents de ceux décrits dans le manuel.

Dometic se réserve le droit de modifier l'apparence et les spécifications produit.

## 4 Contenu de la livraison

Quantité	Description
1	Réfrigérateur
1	Poignée
1	Pile (CR1632)
1	Instructions de montage et de service

## 5 Description technique

### 5.1 Description du fonctionnement

Tous les matériaux utilisés lors de la fabrication du réfrigérateur sont adaptés à une utilisation avec des médicaments.

Le circuit frigorifique est sans entretien.

Le réfrigérateur est disponible en version autonome (FS) et en version encastrable (BIU).

La version autonome (HC 302FS, HC502FS) est destinée à une utilisation au sol. Le panneau isolant du groupe de refroidissement protège les parties chaudes des groupes de refroidissement. Le châssis inférieur est équipé d'orifices de ventilation pour garantir une circulation d'air appropriée. En retirant le châssis inférieur et le panneau isolant du groupe de refroidissement, le réfrigérateur peut être utilisé en version encastrée.

La version encastrable (HC302BIU, HC502BIU) est destinée à être montée dans un meuble. Elle n'est pas équipée de châssis inférieur ni de panneau isolant pour le groupe refroidissement.

Le thermomètre numérique affiche et mémorise les températures internes minimum et maximum atteintes depuis la dernière réinitialisation afin que vous puissiez vérifier si les médicaments sont bien stockés aux températures appropriées.

### 5.2 Éléments de commande

No. dans fig. <b>1</b> , page 3	Explication
1	Dispositif de verrouillage de la porte
2	Trappe
3	Thermomètre numérique (voir fig. <b>2</b> , page 3)
4	Panneau isolant du groupe de refroidissement
5	Tiroirs
6	Lumière intérieure
7	Ventilateur
8	Châssis inférieur

Légende de la fig. **2**, page 3

Pos.	Explication
1	Température interne actuelle (en °C)
2	Température interne minimale (en °C)
3	Température interne maximale (en °C)
4	Bouton de réinitialisation

## 6 Installation et raccordement du réfrigérateur

### 6.1 Déballage du réfrigérateur

1. Vérifiez que l'emballage n'est pas endommagé.
2. Retirez l'emballage en carton.
3. Vérifiez que le réfrigérateur n'est pas endommagé.

Si vous constatez que l'emballage ou le réfrigérateur est endommagé à la suite du transport, signalez-le immédiatement à l'entreprise de transport.

### 6.2 Installation de la version autonome

Veillez respecter les indications suivantes lors du montage :

1. Installez le réfrigérateur de manière à ce que l'air chaud produit puisse s'échapper librement, soit par le haut, soit par les côtés.
2. Placez le réfrigérateur à l'endroit choisi.
3. Laissez l'appareil au moins quatre heures à la verticale avant de le raccorder électriquement afin que le fluide frigorigène puisse s'écouler vers le compresseur.

### 6.3 Installation de la version intégrée



#### **ATTENTION !**

Assurez-vous que l'étagère peut supporter le poids total du réfrigérateur et de son contenu.

Veillez respecter les indications suivantes lors du montage :

- Installez le réfrigérateur de manière à ce que l'air chaud puisse s'échapper librement (soit par le haut, soit par les côtés ; voir fig. **3**, page 4).

Légende de la fig. **3**, page 4

Pos.	Explication
1	Air entrant froid
2	Air évacué chaud

- Assurez-vous que la porte du réfrigérateur peut être ouverte d'au moins 100°. Sinon, il est impossible d'utiliser les tiroirs.
1. Vérifiez les dimensions du réfrigérateur (fig. **11**, page 8 ou fig. **12**, page 8).
  2. Placez le réfrigérateur conformément à la fig. **4**, page 4 ou fig. **5**, page 5.
  3. Fixez le réfrigérateur dans le meuble en plaçant deux vis dans les orifices situés sur sa partie inférieure (fig. **6**, page 5).
  4. Laissez l'appareil au moins quatre heures à la verticale avant de le raccorder électriquement afin que le fluide frigorigène puisse s'écouler vers le compresseur.

## 6.4 Raccordement électrique du réfrigérateur



### AVIS !

- Connectez le réfrigérateur à un circuit séparé pour éviter tout dysfonctionnement dû à des problèmes avec d'autres équipements électriques. Ne connectez jamais le réfrigérateur à une même prise avec d'autres appareils électriques via une multiprise.
- **Uniquement UK :** Le réfrigérateur est fourni avec une fiche munie d'un fusible de 3 A. Si ce fusible doit être changé, il convient d'utiliser un fusible de 3 A approuvé par l'ASTA (BS 1362).

1. Branchez le câble de raccordement à la prise d'alimentation CA.
2. Insérez la batterie dans le thermomètre (voir chapitre « Remplacement de la pile du thermomètre », page 47).

- ✓ L'écran s'allume.

Pendant les deux premières secondes, l'écran n'affiche pas les valeurs de température ; il indique « -- ». Ensuite, la température détectée par le capteur est affichée.

## 6.5 Montage et démontage de la poignée de porte

1. Montez la poignée comme indiqué (fig. **7**, page 6).
2. Retirez la poignée comme indiqué (fig. **8**, page 6).

# 7 Utilisation

## 7.1 Avant la première utilisation

Avant la première utilisation, nettoyez l'intérieur et l'extérieur avec un chiffon humide pour des raisons d'hygiène (voir également chapitre « Nettoyage et maintenance », page 49).

## 7.2 Économie d'énergie

- Ouvrez uniquement le réfrigérateur de médicaments lorsque c'est nécessaire et le moins longtemps possible.
- Pour une consommation d'énergie optimale, positionnez les clayettes et les tiroirs conformément à leur position à la livraison.
- Vérifiez régulièrement que le joint de la porte est correctement positionné.
- Nettoyez régulièrement le condenseur pour enlever la poussière et les salissures.

## 7.3 Mise en marche



### ATTENTION !

Ne stockez pas de médicaments et de produits médicaux avant que la plage de température de fonctionnement ne soit atteinte.

Après le premier démarrage, le remplacement de la batterie ou l'arrêt prolongé du réfrigérateur, l'écran du thermomètre numérique (fig. **2**, page 3) indique la température ambiante actuelle. Lorsque la température interne atteint la plage de fonctionnement, le thermomètre doit être réinitialisé pour éviter d'afficher une valeur de température maximale erronée.

- Appuyez sur le bouton de réinitialisation (fig. **2** 4, page 3) pendant 5 s.

Le thermomètre dispose d'un rétro-éclairage bleu facilitant la lecture des valeurs de température.

- Appuyez brièvement sur le bouton de réinitialisation (fig. **2** 4, page 3).

- ✓ Le rétro-éclairage bleu s'allume pendant 2 s.

Le thermomètre enregistre les valeurs de température interne minimale et maximale depuis la dernière réinitialisation. Ces valeurs sont effacées lorsque le thermomètre est réinitialisé ou que la pile est changée.

## 7.4 Utilisation du réfrigérateur



### ATTENTION !

Laissez toujours un espace entre les aliments dans le réfrigérateur afin d'assurer un refroidissement efficace et uniforme. Si les tiroirs sont trop remplis, la température risque d'atteindre des valeurs non admissibles.



### AVIS ! Risque d'endommagement

Entreposez uniquement les objets lourds, tels que des bouteilles ou des canettes en bas du réfrigérateur.

## 7.5 Réglage de la température

Le réfrigérateur est équipé d'une fonction de régulation automatique de la température. La température ne peut pas être réglée.

## 7.6 Remplacement de la pile du thermomètre

Remplacez la pile du thermomètre comme suit (fig. **9**, page 7) :

1. Retirez la clé **(1)** de la serrure.
2. Retirez la plaque d'ancrage ronde du cache de la serrure à l'aide de deux tournevis standard.
3. Retirez les deux vis **(2)** du panneau avant.
4. Poussez légèrement le panneau avant **(3)** vers le haut et retirez-le en tirant doucement.
5. Retirez la pile **(4)**.



### AVIS !

Assurez-vous que la polarité est correcte (le « + » doit être orienté vers le haut).

6. Insérez la nouvelle pile (CR1632) dans le compartiment.
7. Remontez le panneau avant et verrouillez la plaque d'ancrage ronde du cache dans l'ordre inverse.

## 7.7 Dégivrage du réfrigérateur



### REMARQUE

Lorsque la température ambiante est très élevée, il peut arriver que le réfrigérateur fonctionne sans interruption, ce qui entraîne une formation excessive de givre sur la paroi arrière du compartiment congélation.


L'humidité de l'air peut entraîner la formation de givre à l'intérieur du réfrigérateur ou sur l'évaporateur.

Une légère couche de givre ou quelques gouttes d'eau peuvent se déposer à l'intérieur du réfrigérateur s'il a été utilisé pendant un temps assez long. Ce comportement est normal, car l'humidité de l'air se condense en gouttes d'eau lorsque la température baisse dans le réfrigérateur. Le réfrigérateur n'est **pas** défectueux.

La condensation s'écoule par un conduit d'évacuation de l'eau dans un réservoir d'eau situé à l'arrière du réfrigérateur, en haut du compresseur, où elle s'évapore.

Il est recommandé de dégivrer le réfrigérateur toutes les trois semaines.

Procédez comme suit :

1. Pour arrêter le réfrigérateur : appuyez sur le bouton  pendant plus de 5 secondes.
2. Débranchez le réfrigérateur du secteur.
3. Retirez les tiroirs (voir chapitre « Démontage des tiroirs », page 49).
4. Laissez la porte ouverte.
5. Après le dégivrage, essuyez l'intérieur de l'armoire avec un chiffon propre et humide.
6. Assemblez les tiroirs.

## 7.8 Arrêt et mise hors service du réfrigérateur

Lorsque vous voulez mettre le réfrigérateur hors service pendant une période prolongée, procédez de la façon suivante :

1. Débranchez le réfrigérateur du secteur.
2. Nettoyez le réfrigérateur (voir chapitre « Nettoyage et maintenance », page 49).
3. Laissez la porte légèrement ouverte.  
Cela empêche la formation d'odeurs.



## 7.9 Démontage des tiroirs

Vous pouvez retirer les tiroirs, par exemple pour le nettoyage.

Procédez comme suit (fig. **10**, page 7):

1. Ouvrez la porte (**A**).
2. Retirez le tiroir (**B**).
3. Poussez les goupilles de fixation de l'extérieur vers l'intérieur (**C**).
4. Retirez le tiroir (**D**).
5. Remplacez les tiroirs en effectuant la procédure dans l'ordre inverse.

## 8 Nettoyage et maintenance



### AVERTISSEMENT ! Danger de mort par électrocution

Avant toute opération de nettoyage ou d'entretien du réfrigérateur, veillez à débrancher celui-ci du secteur.



### AVIS ! Risque d'endommagement

- N'utilisez ni détergents abrasifs, ni objets durs pour le nettoyage, ceux-ci pouvant endommager le réfrigérateur.
- N'utilisez jamais d'outils durs ou pointus pour enlever les couches de glace ou pour détacher des objets pris dans le givre.
- N'utilisez aucun moyen mécanique ou autre pour accélérer la procédure de dégivrage.

- ▶ Nettoyez le réfrigérateur régulièrement et dès qu'il est sale, avec un chiffon humide.
- ▶ Veillez à ce que de l'eau ne goutte pas sur les joints. Cela risque d'endommager les composants électroniques.
- ▶ Essuyez le réfrigérateur avec un chiffon après l'avoir nettoyé.
- ▶ Vérifiez régulièrement l'écoulement de l'eau de dégivrage.  
Nettoyez l'écoulement de l'eau de dégivrage si nécessaire. S'il est bouché, l'eau de dégivrage s'accumule en bas du réfrigérateur.
- ▶ Nettoyez régulièrement les joints de la porte.

**Version autonome :** Nettoyez régulièrement la grille du condenseur et le compresseur à l'arrière du réfrigérateur à l'aide d'un aspirateur.

## 9 Guide de dépannage

### Eau dans ou sous le réfrigérateur

Panne	Cause possible	Solution
De l'eau coule à l'intérieur du réfrigérateur	Le canal d'écoulement de l'eau de dégivrage est bouché.	Nettoyer l'écoulement.
	Les médicaments empêchent l'écoulement de l'eau vers le collecteur.	Assurez-vous que les médicaments n'entrent pas en contact avec la paroi arrière.
De l'eau coule sur le sol.	Il y a trop d'eau dans le récipient à eau.	Nettoyez le collecteur d'eau.

### Signaux d'affichage

Signal	Explication
<p><b>Erreur générale</b></p> <p>L'écran clignote une fois par seconde.</p>	L'écran affiche alternativement la température interne actuelle et le code d'erreur actif (fig. 2 1, page 3) (E1 ou E2, voir ci-dessous).
<p><b>Défaillance du capteur</b></p> <p>L'écran clignote et affiche « E1 ».</p>	Les valeurs minimales et maximales seront conservées comme les dernières valeurs connues.
<p><b>Pile à plat</b></p> <p>L'écran clignote et affiche « E2 » en alternance avec la température actuelle.</p>	Les températures internes minimales et maximales sont toujours visibles et seront mises à jour à partir de la lecture de la température interne actuelle.

## 10 Garantie

Le délai légal de garantie s'applique. Si le produit s'avérait défectueux, veuillez vous adresser à la filiale du fabricant située dans votre pays (voir [dometic.com/dealer](http://dometic.com/dealer)) ou à votre revendeur spécialisé.

Veuillez y joindre les documents suivants pour la gestion des réparations et de la garantie :

- une copie de la facture avec la date d'achat,
- le motif de la réclamation ou une description du dysfonctionnement.

## 11 Mise au rebut



### AVIS !


Un gaz isolant est utilisé dans le réfrigérateur (voir la plaque signalétique). Contactez l'administration locale ou la société de traitement des déchets locale pour connaître la procédure de mise au rebut conforme du réfrigérateur et des matériaux qu'il contient.

- Jetez les emballages dans les conteneurs de déchets recyclables prévus à cet effet.



Lorsque vous mettez votre produit définitivement hors service, informez-vous auprès du centre de recyclage le plus proche ou auprès de votre revendeur spécialisé sur les prescriptions relatives au retraitement des déchets.

## 12 Caractéristiques techniques

	HC 302	HC 502
Volume total :	33 l	49 l
Tension de raccordement :	220 – 240 V	
Consommation électrique :	0,42 kWh/24 h	0,44 kWh/24 h
Puissance absorbée :	0,54 A	
Puissance frigorifique :	+2 °C à +8 °C	
Classe climatique :	SN	
Utilisation prévue à température ambiante :	+10 °C à +32 °C	
Réfrigérant :	R134a	
Quantité de réfrigérant :	38 g	
Équivalent CO <sub>2</sub> :	0,054 t	
Potentiel d'effet de serre (GWP) :	1430	
Dimensions :	voir fig. <b>11</b> , page 8	voir fig. <b>12</b> , page 8
Poids :	env. 20 kg	env. 22 kg
Contrôle/certification :		

Contient des gaz à effet de serre fluorés

Équipement hermétiquement scellé

Lees alle instructies, richtlijnen en waarschuwingen in deze gebruiksaanwijzing en volg ze zorgvuldig op om ervoor te zorgen dat u het product te allen tijde op de juiste manier installeert, gebruikt en onderhoudt. Deze instructies MOETEN bij dit product bewaard worden.

Door het product te gebruiken, bevestigt u hierbij dat u alle instructies, richtlijnen en waarschuwingen zorgvuldig hebt gelezen en dat u de voorwaarden en condities zoals die hierin zijn beschreven begrijpt en accepteert. U gaat ermee akkoord dit product alleen te gebruiken voor het beoogde doel en de beoogde toepassing en in overeenstemming met de instructies, richtlijnen en waarschuwingen zoals beschreven in deze gebruiksaanwijzing en in overeenstemming met de geldende wet- en regelgeving. Het niet lezen en opvolgen van de hierin beschreven instructies en waarschuwingen kan leiden tot letsel voor uzelf en anderen, schade aan uw product of schade aan andere eigendommen in de omgeving. Deze gebruiksaanwijzing, met inbegrip van de instructies, richtlijnen en waarschuwingen, en de bijbehorende documentatie kan onderhevig zijn aan wijzigingen en updates. Actuele productinformatie vindt u op [dometic.com](http://dometic.com).

## Inhoudsopgave

1	Verklaring van de symbolen . . . . .	53
2	Veiligheidsaanwijzingen . . . . .	54
3	Omvang van de levering . . . . .	56
4	Beoogd gebruik . . . . .	57
5	Technische beschrijving . . . . .	58
6	Koelkast installeren en aansluiten . . . . .	59
7	Gebruik . . . . .	61
8	Reiniging en onderhoud . . . . .	64
9	Verhelpen van storingen . . . . .	65
10	Garantie . . . . .	66
11	Afvoer . . . . .	66
12	Technische gegevens . . . . .	67

## 1 Verklaring van de symbolen



### GEVAAR!

**Veiligheidsaanwijzing** met betrekking tot een gevaarlijke situatie die leidt tot ernstig letsel of de dood, als deze niet wordt vermeden.



### WAARSCHUWING!

**Veiligheidsaanwijzing** met betrekking tot een gevaarlijke situatie die kan leiden tot ernstig letsel of de dood, als deze niet wordt vermeden.



### VOORZICHTIG!

**Veiligheidsaanwijzing** met betrekking tot een gevaarlijke situatie die kan leiden tot licht of gemiddeld letsel, als deze niet wordt vermeden.

**LET OP!**

Aanwijzing met betrekking tot een situatie die kan leiden tot materiële schade, als deze niet wordt vermeden.

**INSTRUCTIE**

Meer informatie over de bediening van het product.

## 2 Veiligheidsaanwijzingen

### 2.1 Algemene veiligheid



**WAARSCHUWING! Het niet in acht nemen van deze waarschuwingen kan leiden tot ernstig letsel of de dood.**

**Gevaar voor elektrische schokken**

- Zorg ervoor dat de koelkast wordt geïnstalleerd door een gekwalificeerd technicus en in overeenstemming met de Dometic-montagehandleiding.
- Als de koelkast zichtbaar is beschadigd, mag hij niet in gebruik worden genomen.
- Als de stroomkabel van de koelkast beschadigd is, moet deze, om gevaren te voorkomen, worden vervangen door de fabrikant, diens klantenservice of een gelijkwaardig gekwalificeerd persoon.
- Reparaties aan deze koelkast mogen uitsluitend door automonteurs worden uitgevoerd. Door ondeskundige reparaties kunnen grote gevaren ontstaan.

**Brandgevaar**

- Het koelmiddel in de koelkring is licht ontvlambaar. In geval van beschadiging van de koelkring:
  - Schakel de koelkast uit.
  - Vermijd open vuur en vonken.
  - Ventileer de ruimte goed.

**Explosiegevaar**

- Bewaar geen explosiegevaar stoffen, zoals spuitbussen met brandbaar drijfgas, in de koelkast.

**Gevaar voor de gezondheid**

- De koelkast mag worden gebruikt door kinderen vanaf 8 jaar en ouder evenals door personen met verminderd fysiek, zintuiglijk of mentaal vermogen of gebrek aan kennis en ervaring, mits zij onder toezicht staan of zijn geïnstrueerd in het veilig gebruik van de koelkast en zij inzicht hebben in de gevaren die het gebruik ervan met zich meebrengt.
- Kinderen mogen niet met de koelkast spelen.
- Reiniging en gebruikersonderhoud mogen niet door kinderen zonder toezicht worden uitgevoerd.
- Kinderen van 3 tot 8 jaar mogen de koelkast alleen in- en uitruimen.

**VOORZICHTIG! Het niet in acht nemen van deze waarschuwingen kan leiden tot licht of matig letsel.****Gevaar voor beknelling**

- Grijp niet in het scharnier.

**LET OP! Gevaar voor schade**

- Controleer of de spanning op het typeplaatje overeenkomt met de aanwezige energievoorziening.
- De koelkast is niet geschikt voor de opslag van bijtende of oplosmiddelhoudende stoffen.
- Houd de afvoerleiding altijd schoon.
- Open in geen geval de koelkring.
- Draag de koelkast uitsluitend rechtop.

**2.2 Veiligheid bij het gebruik van het koelapparaat****GEVAAR! Het niet in acht nemen van deze waarschuwingen leidt tot ernstig letsel of de dood.****Gevaar voor elektrische schokken**

- Raak blanke leidingen nooit met blote handen aan.

**VOORZICHTIG! Het niet in acht nemen van deze waarschuwingen kan leiden tot licht of matig letsel.****Gevaar voor elektrische schokken**

- Let er voor de ingebruikname van de koelkast op dat voedingskabel en stekker droog zijn.

**Gevaar voor de gezondheid**

- De medicijnen en vaccins mogen alleen in de originele verpakking of in geschikte bakken worden bewaard.
- Controleer of het vereiste temperatuurbereik van het medicijn of vaccin overeenkomt met het temperatuurbereik van dit toestel.
- Langdurig openen van de deur kan leiden tot een aanzienlijke temperatuurstijging in de compartimenten van de koelkast.
- Reinig de toegankelijke afvoersystemen regelmatig.
- Als de koelkast voor een langere periode leeg wordt gehouden:
  - Schakel de koelkast uit.
  - Ontdooi de koelkast.
  - Reinig en droog de koelkast.
  - Laat de deur open om schimmelvorming in de koelkast te voorkomen.

**LET OP! Gevaar voor schade**

- Gebruik geen elektrische toestellen in de koelkast, behalve als deze elektrische toestellen daarvoor door de fabrikant worden aanbevolen.
- Plaats het toestel niet in de buurt van open vuur of andere warmtebronnen (verwarming, sterke zonnestraling, gasovens enz.).
- Let op dat de ventilatieopeningen niet afgedekt zijn.
- Dompel de koelkast nooit onder in water.
- Bescherm de koelkast en de kabel tegen hitte en vocht.

### 3 Omvang van de levering

Aantal	Beschrijving
1	Koelkast
1	Handvat
1	Batterij (CR1632)
1	Montage- en gebruiksaanwijzing



## 4 Beoogd gebruik

De medicijnkoelkast (ook wel koelkast genoemd) is bedoeld om warmtegevoelige geneesmiddelen conform DIN 58345 tussen +2 °C en +8 °C te houden in afgesloten gebouwen, zoals:

- In ziekenhuizen en gezondheidscentra
- In bejaardentehuizen en verpleeghuizen

De koelkast is niet geschikt voor inbouw in caravans of campers.

De koelkast is bedoeld voor gebruik als inbouwtoestel of als vrijstaand koeltoestel. Zie de installatie-instructies.

De koelkast is uitsluitend ontworpen voor het koelen en bewaren van geneesmiddelen en vaccins in gesloten bakken.

- Het toestel is niet geschikt voor het opslaan van enige vorm van lichaamsvloeistoffen zoals bloed of plasma, of lichaamsdelen zoals menselijke organen.
- Het is niet geschikt voor het koelen en bewaren van dranken en levensmiddelen, het bewaren van verse levensmiddelen of het invriezen van levensmiddelen.

Deze koelkast is alleen geschikt voor het beoogde gebruik en de toepassing in overeenstemming met deze gebruiksaanwijzing.

Deze handleiding geeft informatie die nodig is voor een goede installatie en/of bediening van de koelkast. Een slechte installatie en/of verkeerde bediening of onderhoud leidt tot onbevredigende prestaties en mogelijke storingen.

De fabrikant aanvaardt geen aansprakelijkheid voor letsel of schade aan het product die het gevolg is van:

- Onjuiste montage of aansluiting, inclusief te hoge spanning
- Onjuist onderhoud of gebruik van andere dan door de fabrikant geleverde originele reserveonderdelen
- Wijzigingen van het product zonder uitdrukkelijke toestemming van de fabrikant
- Gebruik voor andere doeleinden dan beschreven in deze handleiding

Dometic behoudt zich het recht voor om het uiterlijk en de specificaties van het product te wijzigen.

## 5 Technische beschrijving

### 5.1 Functiebeschrijving

Alle materialen die in de koelkast zijn gebruikt zijn geschikt voor medicijnen.

De koelkring is onderhoudsvrij.

De koelkast is verkrijgbaar als vrijstaande versie (FS) en als inbouwversie (BIU).

De vrijstaande versie (HC302FS, HC502FS) is bestemd voor vrijstaand gebruik. De afdekking van het koelaggregaat beschermt de warme onderdelen van het koelaggregaat. Het grondframe met ventilatieopeningen garandeert voldoende ventilatie. Door het grondframe en de afdekking van het koelaggregaat te verwijderen, kan de koelkast ook als inbouwversie worden gebruikt.

De inbouwversie (HC302BIU, HC502BIU) is bestemd om in meubilair te worden ingebouwd. Deze versie heeft geen grondframe of afdekking voor het koelaggregaat.

De digitale thermometer toont de minimum- en maximumbinnentemperaturen sinds de laatste reset en slaat deze op, zodat u kunt controleren of de medicijnen bij de juiste temperaturen zijn bewaard.

### 5.2 Bedieningselementen

Nr. in afb. <b>1</b> , pagina 3	Toelichting
1	Deurvergrendeling
2	Klep
3	Digitale thermometer (zie afb. <b>2</b> , pagina 3)
4	Afdekking koelaggregaat
5	Laden
6	Binnenverlichting
7	Ventilator
8	Grondframe

Legenda bij afb. **2**, pagina 3

Pos.	Toelichting
1	Actuele binnentemperatuur (in °C)
2	Minimumbinnentemperatuur (in °C)
3	Maximumbinnentemperatuur (in °C)
4	Resetknop

## 6 Koelkast installeren en aansluiten

### 6.1 Koelkast uitpakken

1. Controleer of de verpakking niet beschadigd is.
2. Verwijder de kartonnen verpakking.
3. Controleer of de koelkast niet beschadigd is.

Indien u schade aan de verpakking of aan de koelkast ontdekt die het gevolg is van het transport, dient u dit onmiddellijk aan het transportbedrijf te melden.

### 6.2 Vrijstaande versie opstellen

Neem de volgende instructies bij de opstelling in acht:

1. Stel de koelkast zodanig op dat de geproduceerde warme lucht goed kan wegtrekken, ofwel naar boven of naar de zijkanten.
2. Plaats de koelkast op de gekozen plek.
3. Laat de koelkast minstens vier uur staan alvorens deze aan te sluiten op de stroomvoorziening, zodat het koelmiddel terug in de compressor kan stromen.

### 6.3 Inbouwversie opstellen



#### **VOORZICHTIG!**

Controleer of de legplank geschikt is om het totale gewicht van de koelkast en de te bewaren inhoud te dragen.

Neem de volgende instructies bij de opstelling in acht:

- Stel de koelkast zodanig op dat de geproduceerde warme lucht goed kan wegtrekken (ofwel naar boven of naar de voorkant, zie afb. **3**, pagina 4).

Legenda bij afb. **3**, pagina 4

Pos.	Toelichting
1	Koude toevoerlucht
2	Warme afvoerlucht

- Controleer of de deur van de koelkast ten minste 100° kan worden geopend. Anders kunnen de lades niet worden gebruikt.
- 1. Controleer de afmetingen van de koelkast (afb. **11**, pagina 8 of afb. **12**, pagina 8).
- 2. Stel de koelkast op conform afb. **4**, pagina 4 of afb. **5**, pagina 5.
- 3. Bevestig de koelkast aan het meubilair door twee schroeven door de montagestukken aan de onderzijde te schroeven (afb. **6**, pagina 5).
- 4. Laat de koelkast minstens vier uur staan alvorens deze aan te sluiten op de stroomvoorziening, zodat het koelmiddel terug in de compressor kan stromen.

## 6.4 Koelkast aansluiten op de stroomvoorziening



### LET OP!

- Sluit de koelkast aan op een aparte stroomkring om storingen als gevolg van problemen met andere elektrische apparatuur te voorkomen. Sluit de koelkast nooit samen met andere elektrische apparatuur aan op één stopcontact door middel van een meervoudige stekkerdoos.
- **Alleen UK:** De koelkast wordt gevoed door een stekker met een 3-A-zekering. Als deze zekerings moet worden vervangen, moet een door ASTA goedgekeurde 3-A-zekering (BS 1362) worden gebruikt.

1. Sluit de stekker van de aansluitkabel aan op het wisselstroomnet.
  2. Steek de batterij in de thermometer (zie hoofdstuk „Batterij van de thermometer vervangen” op pagina 62).
- ✓ Het display schakelt in.

Voor de eerste twee seconden toont het display niet de temperatuurwaarden, maar „--.“. Daarna wordt de temperatuur weergegeven die van de sensor wordt verkregen.

## 6.5 Deurgreep monteren en demonteren

1. Monteer de deurgreep zoals weergegeven (afb. **7**, pagina 6).
2. Verwijder de deurgreep zoals weergegeven (afb. **8**, pagina 6).

# 7 Gebruik

## 7.1 Voor het eerste gebruik

Reinig de koelkast om hygiënische redenen voor het eerste gebruik aan de binnen- en buitenzijde met een vochtige doek (zie ook hoofdstuk „Reiniging en onderhoud” op pagina 64).

## 7.2 Energie besparen

- Open de medicijnkoelkast uitsluitend indien nodig en slechts zo lang als noodzakelijk.
- Plaats de legplanken en laden voor een optimaal energieverbruik in de positie zoals bij levering.
- Controleer regelmatig of de deurafdichting nog goed zit.
- Verwijder regelmatig stof en vuil van de condensor.

## 7.3 Inschakelen



### VOORZICHTIG!

Bewaar geen medicijnen en medicinale producten voordat de bedrijfstemperatuur is bereikt.

Na de eerste ingebruikname, na het vervangen van de batterij of nadat de koelkast voor langere tijd uitgeschakeld was, toont het display van de digitale thermometer (afb. **2**, pagina 3) de actuele omgevingstemperatuur. Zodra de binnentemperatuur in het bereik van de bedrijfstemperatuur komt, moet de thermometer worden gereset om te voorkomen dat de verkeerde maximumtemperatuur wordt weergegeven.

- ▶ Houd de resetknop (afb. **2** 4, pagina 3) voor 5 s ingedrukt.

De thermometer heeft een blauwe achtergrondverlichting die de temperatuurwaarden beter afleesbaar maakt.

- ▶ Druk kort op de resetknop (afb. **2** 4, pagina 3).

- ✓ De blauwe achtergrondverlichting licht voor 2 s op.

De thermometer slaat de waarden van de minimum- en maximumbinnentemperatuur sinds de laatste reset op. Deze waarden worden gewist wanneer de thermometer wordt gereset of als de batterij wordt vervangen.

## 7.4 Koelkast gebruiken



### VOORZICHTIG!

Laat altijd wat ruimte tussen de gekoelde waren in de koelkast voor een doeltreffende en gelijkmatige koeling. Als de laden te vol zijn, kunnen er onaanvaardbare temperatuurwaarden zijn.



### LET OP! Gevaar voor schade

Bewaar zware voorwerpen zoals flessen of conserven uitsluitend op de bodem van de koelkast.

## 7.5 Temperatuur instellen

De koelkast is uitgerust met een automatische temperatuurregeling. De temperatuur kan niet worden ingesteld.

## 7.6 Batterij van de thermometer vervangen

Vervang de batterij van de thermometer als volgt (afb. **9**, pagina 7):

1. Trek de sleutel (**1**) uit het slot.
2. Verwijder de slotrozet met behulp van twee standaard schroevendraaiers.
3. Verwijder beide schroeven (**2**) van het frontpaneel.
4. Duw het frontpaneel (**3**) een beetje omhoog en verwijder het door licht te trekken.
5. Verwijder de batterij (**4**).



### LET OP!

Zorg ervoor dat de polariteit correct is (de „+” moet naar boven wijzen).

6. Plaats een nieuwe batterij (CR1632) in de houder.
7. Monteer het frontpaneel en de slotrozet in omgekeerde volgorde.

## 7.7 Koelkast ontdooien



### INSTRUCTIE

Bij een zeer hoge omgevingstemperatuur kan het voorkomen dat de koelkast ononderbroken werkt, hetgeen leidt tot een overmatige rijpvorming aan de achterwand van het koelvak.


Vocht kan vorst in de binnenruimte van de koelkast of op de verdamper veroorzaken.

Een dunne rijplaag of waterdruppels kunnen in de binnenkant van de koelkast achterblijven, als deze langere tijd gekoeld heeft. Dat is normaal, aangezien het vocht in de lucht tot waterdruppels condenseert, als de temperatuur in de koelkast afkoelt. De koelkast is **niet** defect.

Het condensaat stroomt door een waterafvoerkanaal naar buiten in een opvangbak aan de achterzijde van de koelkast bovenop de compressor, waar het verdampt.

Het wordt aanbevolen de koelkast om de drie weken te ontdooien.

Ga als volgt te werk:

1. Schakel de koelkast uit: houd de knop  langer dan 5 seconden ingedrukt.
2. Scheid de koelkast van het stroomnet.
3. Verwijder de laden (zie hoofdstuk „Laden verwijderen” op pagina 64).
4. Laat de deur open.
5. Wrijf de binnenzijde van de koelkast na het ontdooien schoon met een schone, vochtige doek.
6. Breng de laden aan.

## 7.8 Koelkast uitschakelen en stilleggen

Als u de koelkast lange tijd wilt stilleggen, gaat u als volgt te werk:

1. Scheid de koelkast van het stroomnet.
2. Reinig de koelkast (zie hoofdstuk „Reiniging en onderhoud” op pagina 64).
3. Laat de deur licht geopend.  
Dit voorkomt het ontstaan van geurtjes.

## 7.9 Laden verwijderen

U kunt de laden verwijderen, bijv. voor de reiniging.

Ga als volgt te werk (afb. **10**, pagina 7):

1. Open de deur (**A**).
2. Trek de lade eruit (**B**).
3. Druk de borgpennen van buiten naar binnen (**C**).
4. Verwijder de lade (**D**).
5. Monteer de laden in omgekeerde volgorde.

## 8 Reiniging en onderhoud



### **WAARSCHUWING! Levensgevaar door elektrische schok**

Scheid de koelkast voor reiniging en onderhoud van het net.



### **LET OP! Gevaar voor beschadiging**

- Gebruik voor het reinigen geen bijtende schoonmaakmiddelen of harde voorwerpen, de koelkast zou hierdoor beschadigd kunnen raken.
- Gebruik nooit hard of spits gereedschap voor het verwijderen van ijslagen of het losmaken van vastgevroren voorwerpen.
- Gebruik geen mechanische of andere hulpmiddelen om het ontdooien te versnellen.

- Reinig de koelkast regelmatig en als hij vuil is met een vochtige doek.
- Let erop dat er geen water in de afdichtingen druppelt. Dit kan de elektronica beschadigen.
- Wis de koelkast na de reiniging droog met een doek.
- Controleer de dooiwaterafvoer regelmatig.  
Reinig de dooiwaterafvoer indien nodig. Als deze verstopt is, blijft het dooiwater achter op de bodem van de koelkast.
- Reinig de deurafdichtingen regelmatig.

**Vrijstaande versie:** Reinig het rooster van de condensator en de compressor aan de achterzijde van de koelkast regelmatig met een borstel.



## 9 Verhelpen van storingen

### Water in of onder de koelkast

Fout	Mogelijke oorzaak	Oplossing
Water stroomt in de binnenruimte van de koelkast	Het condensafvoerkanaal is verstopt.	Reinig de afvoer.
	Medicijnen verhinderen dat het water naar de collector stroomt.	Zorg ervoor dat de medicijnen de achterzijde niet raken.
Water stroomt op de bodem.	Er bevindt zich te veel water in de wateropvangbak.	Reinig de wateropvangbak.

### Displaysignalen

Signaal	Toelichting
<b>Algemene fout</b> Het display knippert elke seconde.	Het display toont afwisselend de actuele binnentemperatuur en de actieve foutcode (afb. <b>2</b> 1, pagina 3) (E1 of E2, zie onder).
<b>Sensorfout</b> Het display knippert en toont „E1“.	De minimum- en maximumwaarden blijven behouden als de laatst bekende waarden.
<b>Accu bijna leeg</b> Het display knippert en toont afwisselend „E2“ en de actuele temperatuur.	De minimum- en maximumbinnentemperatuur blijven zichtbaar en worden bijgewerkt naar de actuele binnentemperatuur.

## 10 Garantie

De wettelijke garantieperiode is van toepassing. Als het product defect is, wendt u zich tot het filiaal van de fabrikant in uw land (zie [dometic.com/dealer](http://dometic.com/dealer)) of tot uw speciaalzaak.

Voor de afhandeling van de reparatie of garantie dient u de volgende documenten mee te sturen:

- een kopie van de factuur met datum van aankoop,
- reden van de klacht of een beschrijving van de storing.

## 11 Afvoer



### LET OP!


In de koelkast wordt een isolatiegas gebruikt (zie typeplaatje). Informeer u bij de verantwoordelijke plaatselijke autoriteit of bij uw plaatselijke afvalverwerkingsbedrijf over de correcte afvoer, en zorg ervoor dat de koelkast en alle stoffen vakkundig worden afgevoerd.

- Laat het verpakkingsmateriaal indien mogelijk recylen.



Als u het product definitief buiten bedrijf stelt, informeer dan bij het dichtstbijzijnde recyclingcentrum of uw speciaalzaak naar de betreffende afvoervorschriften.

## 12 Technische gegevens

	HC302	HC502
Totaal volume:	33 l	49 l
Aansluitspanning:	220 – 240 V	
Energieverbruik:	0,42 kWh/24 h	0,44 kWh/24 h
Opgenomen vermogen:	0,54 A	
Koelvermogen:	+2 °C tot +8 °C	
Klimaatklasse:	SN	
Beoogde omgevingstemperatuur:	+10 °C tot +32 °C	
Koelmiddel:	R134a	
Koelmiddelhoeveelheid:	38 g	
CO <sub>2</sub> -equivalent:	0,054 t	
Aardopwarmingsvermogen (GWP):	1430	
Afmetingen:	zie afb. <b>11</b> , pagina 8	zie afb. <b>12</b> , pagina 8
Gewicht:	ca. 20 kg	ca. 22 kg
Keuring/certificering:		

Bevat gefluoreerde broeikasgassen

Hermetisch afgesloten apparatuur

Mobile living made easy.



---

**dometic.com**

---

**YOUR LOCAL  
DEALER**

**[dometic.com/dealer](https://dometic.com/dealer)**

**YOUR LOCAL  
SUPPORT**

**[dometic.com/contact](https://dometic.com/contact)**

**YOUR LOCAL  
SALES OFFICE**

**[dometic.com/sales-offices](https://dometic.com/sales-offices)**

---

A complete list of Dometic companies, which comprise the Dometic Group, can be found in the public filings of:  
**DOMETIC GROUP AB** Hemvärnsgatan 15 SE-17154 Solna Sweden